

0CNP3-M96800EN

Directions for the Parts Catalog.

1. The parts stipulated in this Parts Catalog are not necessarily standard equipped parts.
2. Parts may change without prior notice.
3. The following is an example of the Parts Catalog format.

OCF10-G21601		29. FUEL INJECTION PUMP(W/BOOST)									
REF.	LEV.	PARTS NO.	DESCRIPTION	(A)	(B)	(C)	(D)	(E)	(F)	I	R
1	1	729595-51390	FUEL INJECTION PUMP	1	1	1	1	1			1
1-1	1	729595-51391	FUEL INJECTION PUMP	1	1	1	1	1		N	1
		(A=E00185) (B=E00200)									
3	2	26022-060162	SCREW M 6X 16	9	9	9	9	9			
3-1	2	26022-060162	SCREW M 6X 16	4	4	4	4	4		K	
		(A=E00156) (B=E00156) (C=E00156) (D=E00156) (E=E00156)									
4	2	129470-51040	CAMSHAFT	1	1	1	1	1			
5	2	122710-51050	BEARING, ROLLER	2	2	2	2	2			
6	2	129470-51060	RETAINER	1	1	1	1	1			

Remarks	
(1)	BOOST COMPEMSATOR TYPE. OPTIONAL PART, TO E00155,(4JH-DT, 4JH-DTZ

① Ref. No.

The Ref. No. listed may not be in accordance with the illustration Ref. No.

(Ex.) Illustration No.

List Ref No.

1

1

(Before change)

1-1

(After change)

For interchangeable symbols N, R and K, illustrations for new parts may be abbreviated.

② Lev. (Level)

Level indication

The numbers below indicate the level of relativity towards the main part.

1 ----- Main parts (Assembly parts)

2 ----- Sub component included in " 1 ".

3 ----- Sub component included in " 2 ".

Note) Parts that are not for sale are partially illustrated but not listed.

③ Interchangeability Mark

When a part change takes place, one of the following interchangeability symbols is indicated beside the part.

Symbol	Interchangeability	Contents note
N	Old $\begin{matrix} \leftarrow \text{Yes} \\ \text{No} \rightarrow \end{matrix}$ New	New Part is interchangeable for Old Part but Old Part is not interchangeable for New Part.
Q	Old $\begin{matrix} \leftarrow \text{No} \\ \text{Yes} \rightarrow \end{matrix}$ New	New Part is not interchangeable for Old Part but Old Part is interchangeable for New Part.
R	Old $\begin{matrix} \leftarrow \text{Yes} \\ \text{Yes} \rightarrow \end{matrix}$ New	New/ Old Parts are both interchangeable.
S	Old $\begin{matrix} \leftarrow \text{No} \\ \text{No} \rightarrow \end{matrix}$ New	New/ Old Parts are both not interchangeable.
W		Part newly added.
Z		Part discontinued.
F		Not interchangeable by a single part but interchangeable together with related parts.
K		Changes only for used parts quantities.

④ Effective Machine No.

When a part changes, the effective Machine No. will be indicated in the (A)-(F) column.

Product Symbol	Product No.	Product Symbol	Product No.
C	Clutch No. Compressor No.	F	Machine No. (Agricultural Equip.)
D	Drive No.	M	Machine No.
E	Engine No.		

Note 1) A date may follow the symbol. (Ex.) 1996.01

Note 2) "XXXXX" and "ZZZZZ" are for parts that could not be predicted or for engine models that could not be identified.

Note 3) (A=E00185) is the E (Engine Serial Number) for the column (A) model (in this case 4JH-DT) after the parts design change.

⑤ Remarks Mark

Figures or alphabets (symbols) are entered in the remarks column.

The comments (remarks) on parts that are indicated at the bottom of the illustration are the same symbols as those stated above.

Contents

Fig. No.	Fig. Name	Fig. No.	Fig. Name
ENGINE UNIT		WHEEL SECTION	
1.	CYLINDER BLOCK	21.	TIRE
2.	CYLINDER HEAD & BONNET	TILLING SECTION	
3.	LABEL	22.	TILLING SHAFT RZ
4.	AIR CLEANER & MUFFLER	23.	TINE SHAFT RZ
5.	CRANKSHAFT,PISTON & CAMSHAFT	24.	TILING COVER RZ
6.	F.O.TANK & F.O.PIPE	25.	AUXLIARY COVER
7.	CARBURETOR	HANDLE SECTION	
8.	GOVERNOR & CONTOROL DEVICE	26.	HANDLE
9.	FLY MAGNET & STARTING DEVICE	27.	CONTROL LEVER
PULLEY & TENSION SEC		28.	DIFFERENTIAL LOCK CONTROL
10.	ENGINE MOUNTING	ENGINE FRAME SECTION	
11.	ENGINE PULLEY	29.	ENGINE FRAME
12.	MAIN PULLY	30.	BELT COVER
13.	TENSION CLUTCH	31.	BONNET
TRANSMISSION UNIT		32.	BUMPER
14.	TRANSMISSION CASE RZ	33.	SKID RZ
15.	MAIN SHAFT	LABELS & ACCESSORIES	
16.	COUNTER SHAFT	34.	ELECTRICAL PARTS
17.	FINAL SHAFT	35.	LABELS
18.	AXLE		
19.	DIFFERENTIAL		
20.	MAIN CHANGE		

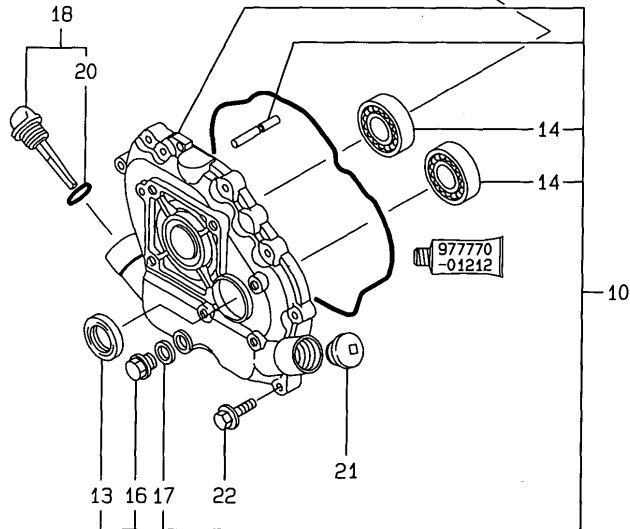
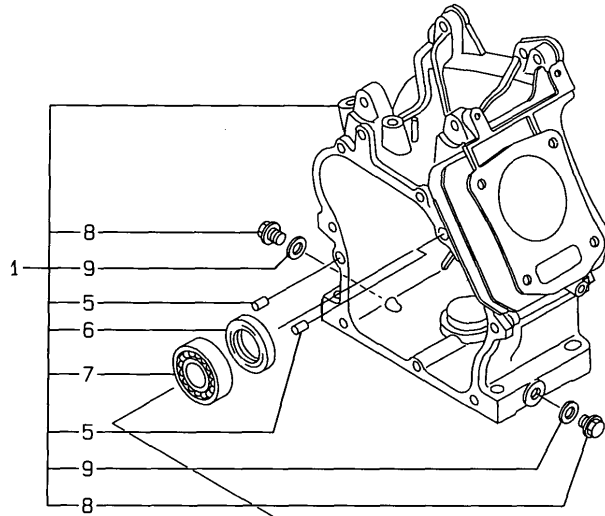
Contents

Fig. No. Fig. Name

36. TOOLS & ACCESSORIES

Fig. No. Fig. Name

Fig.1. CYLINDER BLOCK



(A)=GA120E-SKDL

(B)=

(C)=

(D)=

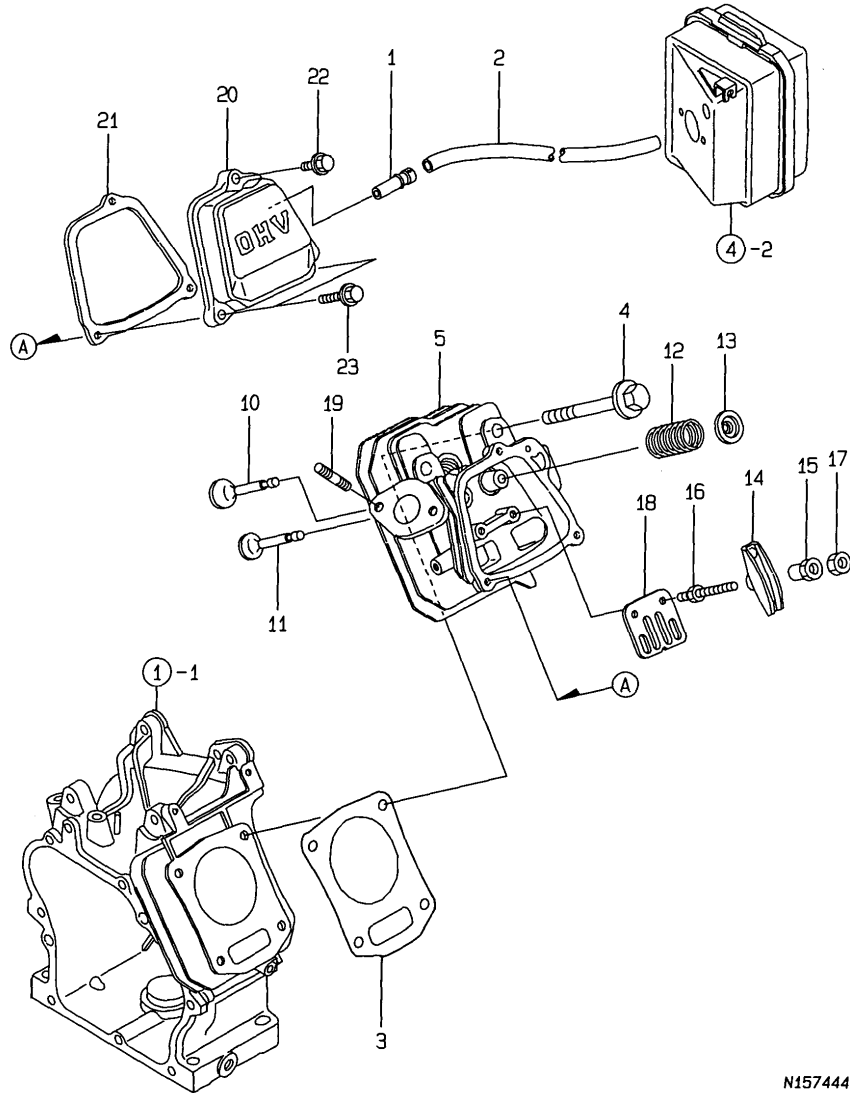
(E)=

(F)=

No.	Lev.	Parts No.	Description	Q'ty						I	R
				(A)	(B)	(C)	(D)	(E)	(F)		
1	1	760590-01562	BLOCK ASSY, CYLINDER	1							
5	2	114270-01600	PIN, M8X12	2							
6	2	160610-02220	SEAL, 20326	1							
7	2	24101-062040	BEARING, BALL 6204C3	1							
8	2	160610-01690	PLUG, M12	2							
9	2	104200-59170	GASKET, 12	2							
10	1	760590-01500	COVER ASSY	1							
13	2	160610-02220	SEAL, 20326	1							
14	2	24101-062040	BEARING, BALL 6204C3	2							
16	2	160610-01690	PLUG, M12	1							
17	2	104200-59170	GASKET, 12	1							
18	1	114299-01760	CAP ASSY	1							
20	2	114299-01950	O-RING, 18	1							
21	1	160110-01870	PLUG, RUBBER	1							
22	1	26476-060252	SCREW, TAPPING M6X25	8							

Remarks
 (REMARKS)"EFFECTIVE MACHINE NO." OF
 ENGINE IS INDICATED ON THE
 ENGINE LABEL WHICH IS SHOWN
 IN FIG.9.

Fig.2. CYLINDER HEAD & BONNET



N157444

(A)=GA120E-SKDL

(B)=

(C)=

(D)=

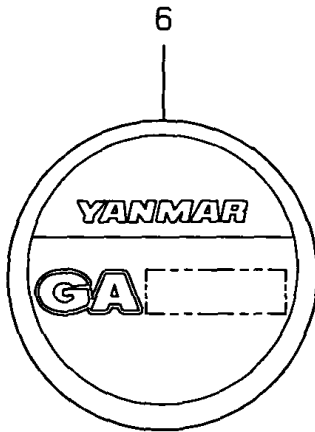
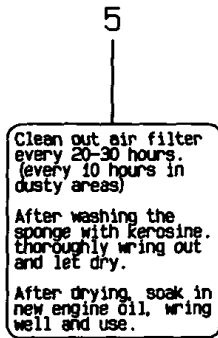
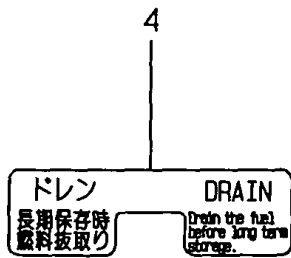
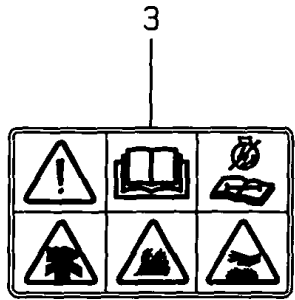
(E)=

(F)=

No.	Lev.	Parts No.	Description	Q'ty						I	R
				(A)	(B)	(C)	(D)	(E)	(F)		
1	1	160690-03050	BREATHER	1							
2	1	160810-03180	PIPE , BREATHER	1							
3	1	160590-01331	GASKET, HEAD	1							
4	1	160610-04201	BOLT, FLANGE M8X53	4							
5	1	160590-11011	HEAD ASSY, CYLINDER	1							
10	1	160590-11100	VALVE, INTAKE	1							
11	1	160590-11110	VALVE, EXHAUST	1							
12	1	160690-11120	SPRING, VALVE	2							
13	1	160690-11180	RETAINER, SPRING	2							
14	1	160690-11200	ARM, ROCKER	2							
15	1	160690-11222	PIVOT, ROCKER ARM	2							
16	1	160690-11271	BOLT	2							
17	1	160690-11280	NUT, M6X0.5	2							
18	1	160690-11290	PLATE, GUIDE	1							
19	1	26216-080182	STUD, M8X 18	2							
20	1	160690-11300	BONNET	1							
21	1	160690-11311	GASKET, BONNET	1							
22	1	26106-060202	BOLT, M6X 20 PLATED	1							
23	1	26106-060352	BOLT, M6X 35 PLATED	2							

Remarks
 (REMARKS)"EFFECTIVE MACHINE NO." OF
 ENGINE IS INDICATED ON THE
 ENGINE LABEL WHICH IS SHOWN
 IN FIG.9.

Fig.3. LABEL



N157445

(A)=GA120E-SKDL

(B)=

(C)=

(D)=

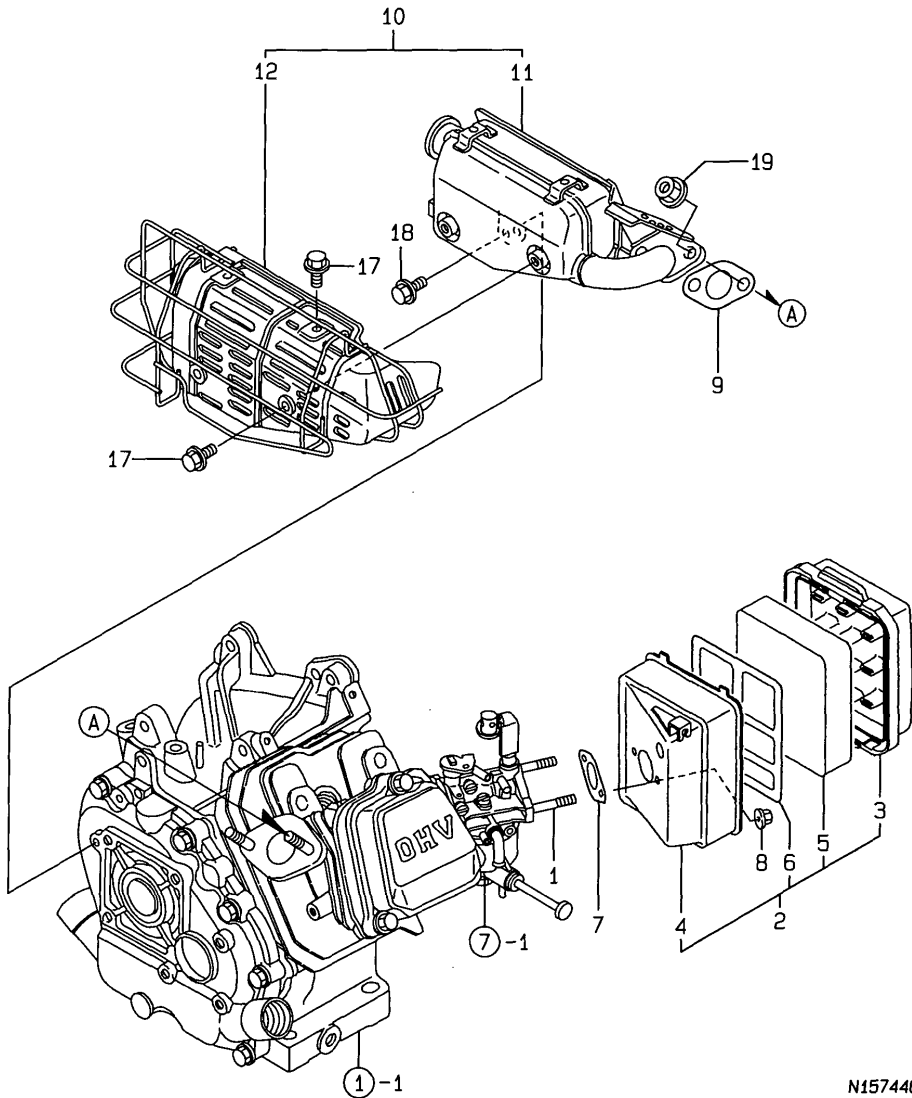
(E)=

(F)=

No.	Lev.	Parts No.	Description	Q'ty						I	R
				(A)	(B)	(C)	(D)	(E)	(F)		
3	1	160991-07260	LABEL	1							
4	1	160690-07260	LABEL, DRAIN	1							
5	1	160664-07370	LABEL, AIR CLEANER	1							
6	1	160590-07490	LABEL, FINGER START	1							

Remarks
 (REMARKS)"EFFECTIVE MACHINE NO." OF
 ENGINE IS INDICATED ON THE
 ENGINE LABEL WHICH IS SHOWN
 IN FIG.9.

Fig.4. AIR CLEANER & MUFFLER



N157446

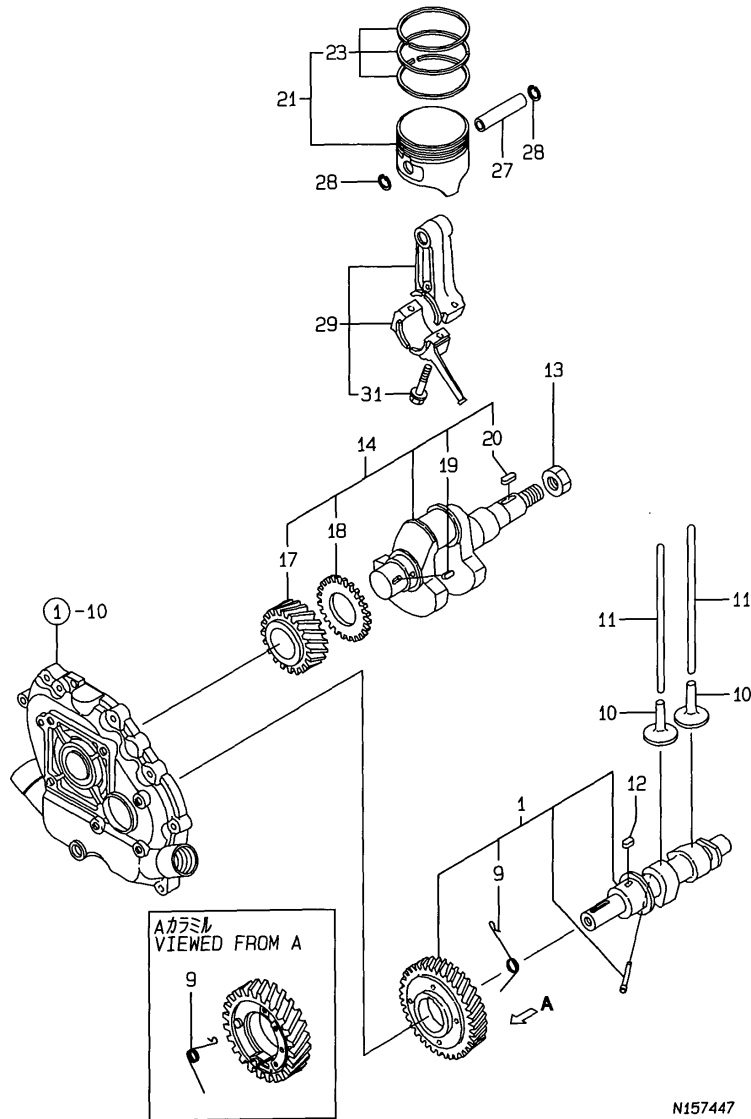
Remarks
 (REMARKS)"EFFECTIVE MACHINE NO." OF
 ENGINE IS INDICATED ON THE
 ENGINE LABEL WHICH IS SHOWN
 IN FIG.9.

(A)=GA120E-SKDL
 (B)=
 (C)=

(D)=
 (E)=
 (F)=

No.	Lev.	Parts No.	Description	Q'ty						I	R
				(A)	(B)	(C)	(D)	(E)	(F)		
1	1	160610-04570	BOLT, M6X70	2							
2	1	160690-12610	CLEANER ASSY, AIR	1							
3	2	160690-12510	CAP, AIR CLEANER	1							
4	2	160690-12540	BODY, AIR CLEANER	1							
5	2	160760-12530	ELEMENT	1							
6	2	160493-12550	HOLDER, ELEMENT	1							
7	1	160610-56151	GASKET, CARBURETOR	1							
8	1	26366-060002	NUT, M6	2							
9	1	160690-13201	GASKET, MUFFLER	1							
10	1	160592-13040	MUFFLER ASSY	1							
11	2	160598-13510	MUFFLER	1							
12	2	160692-13580	COVER, MUFFLER	1							
17	1	114252-13950	BOLT, M6X8	5							
18	1	26106-080122	BOLT, M8X 12 PLATED	1							
19	1	26366-080002	NUT, M8	2							

Fig.5. CRANKSHAFT,PISTON & CAMSHAFT



(A)=GA120E-SKDL

(B)=

(C)=

(D)=

(E)=

(F)=

No.	Lev.	Parts No.	Description	Q'ty						I	R
				(A)	(B)	(C)	(D)	(E)	(F)		
1	1	160592-14051	CAMSHAFT ASSY	1							
9	2	160590-14571	SPRING,DECOMPRESSION	1							
10	1	160490-14200	TAPPET	2							
11	1	160590-14400	ROD, PUSH	2							
12	1	22512-040120	KEY, 4X 12	1							
13	1	160610-04910	NUT, FLYWHEEL M14	1							
14	1	760590-21700	CRANKSHAFT ASSY	1							
17	2	160590-21200	GEAR, CRANKSHAFT	1							
18	2	160590-21210	GEAR, IDLE	1							
19	2	160610-21290	KEY, 4X10	1							
20	2	22512-040160	KEY, 4X 16	1							
21	1	160590-22011	PISTON ASSY	1							
23	2	760590-22501	RING SET, PISTON	1							
27	1	160590-22300	PIN, PISTON	1							
28	1	22252-000130	RING, 13	2							
29	1	760590-23700	ROD ASSY, CONNECTING	1							
31	2	26106-060302	BOLT, M6X 30 PLATED	2							

Remarks
 (REMARKS)"EFFECTIVE MACHINE NO." OF
 ENGINE IS INDICATED ON THE
 ENGINE LABEL WHICH IS SHOWN
 IN FIG.9.

Fig.6. F.O.TANK & F.O.PIPE

(A)=GA120E-SKDL

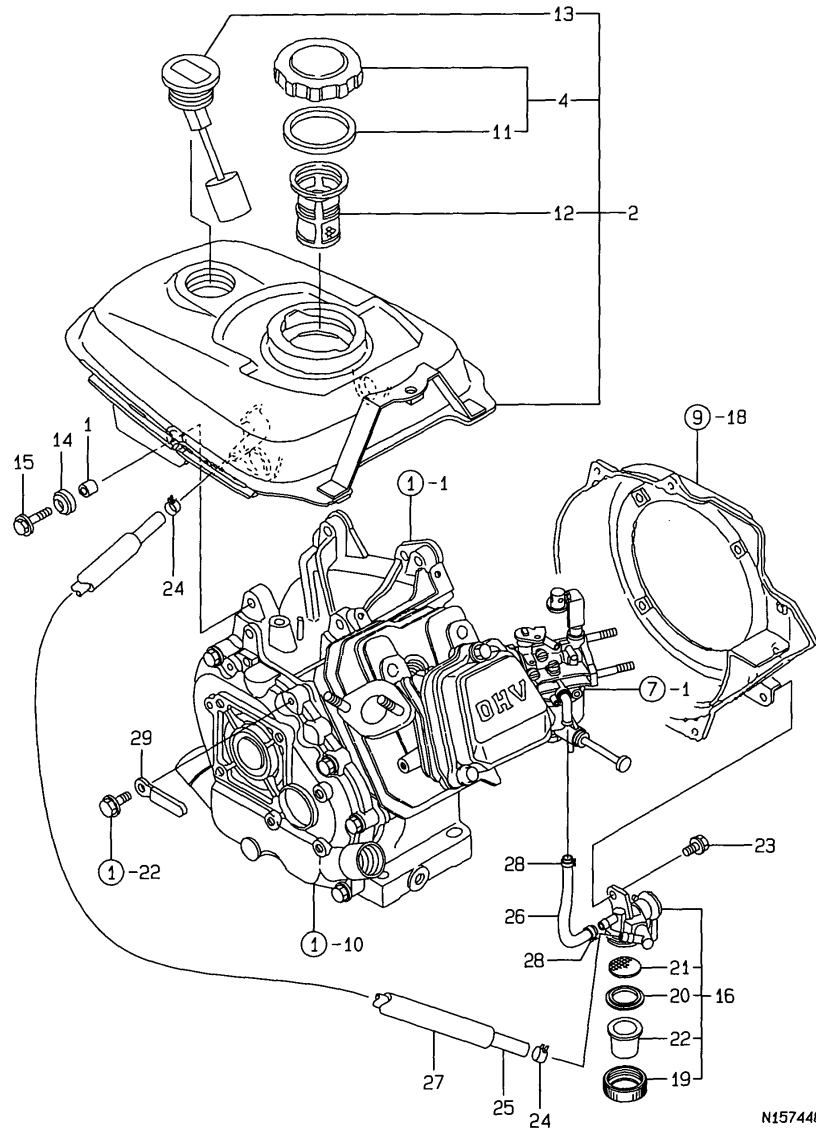
(B)=

(C)=

(D)=

(E)=

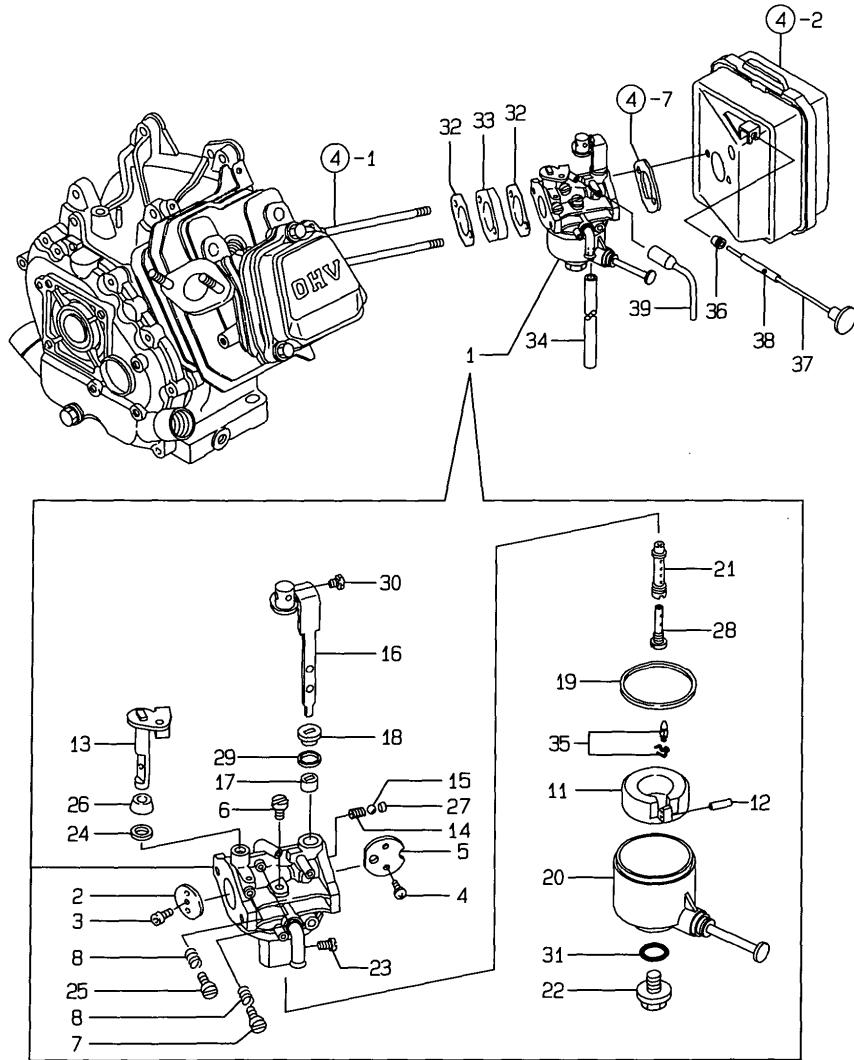
(F)=



No.	Lev.	Parts No.	Description	Q'ty						I	R
				(A)	(B)	(C)	(D)	(E)	(F)		
1	1	114250-45310	COLLAR	4							
2	1	760592-55720	TANK ASSY, FUEL	1							
4	2	160690-55150	CAP ASSY	1							
11	3	160393-55050	GASKET	1							
12	2	160610-55100	FILTER, FUEL	1							
13	2	160708-55150	GAUGE, FUEL	1							
14	1	160690-55462	DAMPER, FUEL TANK	4							
15	1	160690-55140	BOLT	4							
16	1	160520-55300	COCK ASSY, FUEL	1							
19	2	160710-55360	RING	1							
20	2	160710-55370	GASKET	1							
21	2	160710-55382	FILTER	1							
22	2	160710-55390	CUP, FUEL COCK L37	1							
23	1	26106-060102	BOLT, M6X 10 PLATED	1							
24	1	106990-44660	CLIP, HOSE 12.5	2							
25	1	160730-59371	HOSE, FUEL A-355	1							
26	1	160580-59361	HOSE, FUEL B-190	1							
27	1	160690-59400	TUBE, PROTECT	1							
28	1	119520-03990	CLIP, HOSE 10.5	2							
29	1	160710-78710	CLAMP, CORD	1							

Remarks
 (REMARKS)"EFFECTIVE MACHINE NO." OF
 ENGINE IS INDICATED ON THE
 ENGINE LABEL WHICH IS SHOWN
 IN FIG.9.

Fig.7. CARBURETOR



(A)=GA120E-SKDL

(B)=

(C)=

(D)=

(E)=

(F)=

No.	Lev.	Parts No.	Description	Q'ty						I	R
				(A)	(B)	(C)	(D)	(E)	(F)		
1	1	160592-56100	CARBURETOR ASSY	1							
2	2	160592-56540	VALVE, THROTTLE	1							
3	2	160690-56580	SCREW	1							
4	2	160690-56570	SCREW	2							
5	2	160593-56700	VALVE, CHOKE	1							
6	2	160590-56750	JET, PILOT	1							
7	2	160692-56710	SCREW	1							
8	2	181230-56380	SPRING	2							
11	2	160692-56570	FLOAT ASSY	1							
12	2	160690-56630	PIN, FLOAT	1							
13	2	160692-56640	SHAFT, THROTTLE	1							
14	2	160310-56980	SPRING, CHOKE	1							
15	2	160310-56990	BALL, STEEL	1							
16	2	160590-56650	LEVER, CHOKE	1							
17	2	160810-56580	RING, CHOKE SHAFT	1							
18	2	160810-56590	RING, CHOKE LEVER	1							
19	2	160610-56610	GASKET	1							
20	2	160598-56660	BODY, FLOAT CHAMBER	1							
21	2	160590-56681	NOZZLE, MAIN	1							
22	2	160893-56650	BOLT	1							
23	2	160590-56771	JET, MAIN	1							
24	2	160640-56850	SEAL	1							
25	2	160667-56750	ADJUSTER	1							
26	2	160702-56720	RING	1							
27	2	160692-56700	PLUG	1							
28	2	160590-56800	NOZZLE, MAIN	1							
29	2	160692-56800	RUBBER, SEAL	1							
30	2	160692-56500	BOLT	1							
31	2	160893-56660	O-RING	1							
32	1	160610-56151	GASKET, CARBURETOR	2							
33	1	160690-56160	SPACER, CARBURETOR	1							
34	1	23061-030180	PIPE, 3X 180	1							
35	1	160710-56732	VALVE, INJECTION	1							1
36	1	160763-12600	GROMMET	1							
37	1	160692-56900	ROD, CHOKE	1							
38	1	160693-56910	PIPE, VINYL	1							
39	1	160690-56930	PIPE	1							

Remarks

(1) REPAIR PART.
 (REMARKS)"EFFECTIVE MACHINE NO." OF
 ENGINE IS INDICATED ON THE
 ENGINE LABEL WHICH IS SHOWN
 IN FIG.9.

Fig.8. GOVERNOR & CONTROL DEVICE

(A)=GA120E-SKDL

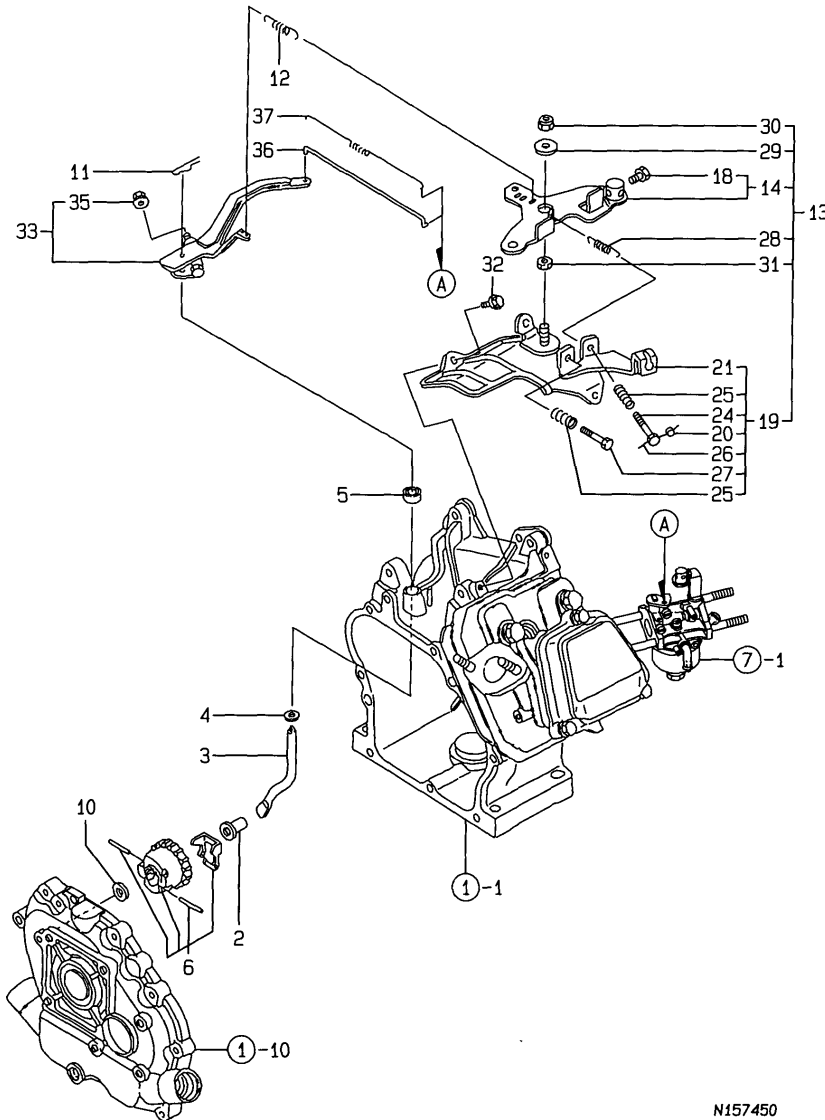
(B)=

(C)=

(D)=

(E)=

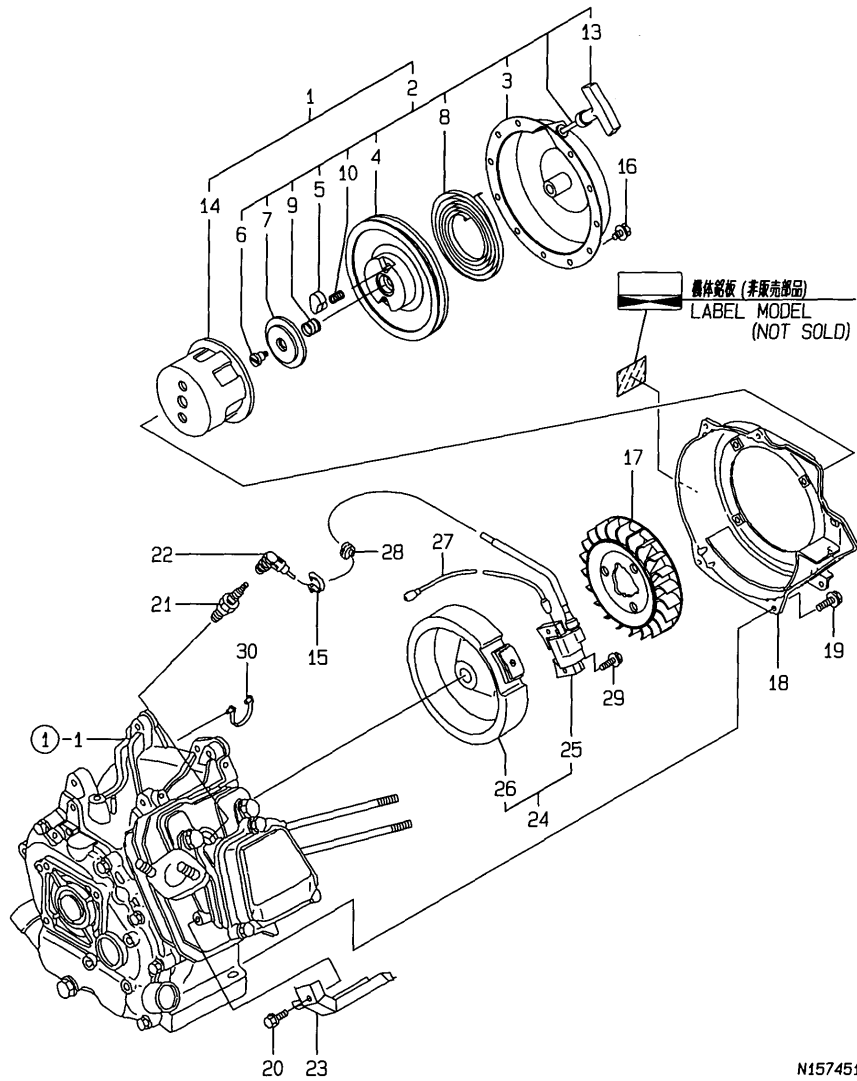
(F)=



No.	Lev.	Parts No.	Description	Q'ty						I	R
				(A)	(B)	(C)	(D)	(E)	(F)		
2	1	160690-61301	SPINDLE	1							
3	1	160690-61311	SHAFT	1							
4	1	160690-61450	WASHER	1							
5	1	114770-61600	SEAL, OIL	1							
6	1	160690-61600	GEAR ASSY, GOVERNOR	1							
10	1	160120-76940	WASHER	1							
11	1	22372-080000	PIN, SNAP 8	1							
12	1	160593-66010	SPRING, GOVERNOR	1							
13	1	160692-66130	CONTROLLER ASSY	1							
14	2	160692-66080	LEVER ASSY, CONTROL	1							
18	3	26117-040088	BOLT M 4X 8 PLATED	1							
19	2	160690-66131	BASE ASSY	1							
20	3	135210-61090	LEAD	1							
21	3	160690-66143	BASE ASSY	1							
24	3	160910-66440	BOLT, ADJUSTER	1							
25	3	160520-66291	SPRING	2							
26	3	22451-060000	WIRE, 0.6	1							
27	3	26117-040257	BOLT, M4X 25 PLATED	1							
28	2	160664-66220	SPRING, RETURN	1							
29	2	160670-66350	COLLAR	1							
30	2	26347-060002	NUT, M6	1							
31	2	26757-060002	NUT, LOCK M6	1							
32	1	26476-060142	SCREW, TAPPING M6X14	3							
33	1	160690-66180	LEVER ASSY, GOVERNOR	1							
35	2	26366-060002	NUT, M6	1							
36	1	160690-66200	LINK, THROTTLE	1							
37	1	160690-66210	SPRING, TENSION	1							

Remarks
 (REMARKS)"EFFECTIVE MACHINE NO." OF
 ENGINE IS INDICATED ON THE
 ENGINE LABEL WHICH IS SHOWN
 IN FIG.9.

Fig.9. FLY MAGNET & STARTING DEVICE



N157451

(A)=GA120E-SKDL

(B)=

(C)=

(D)=

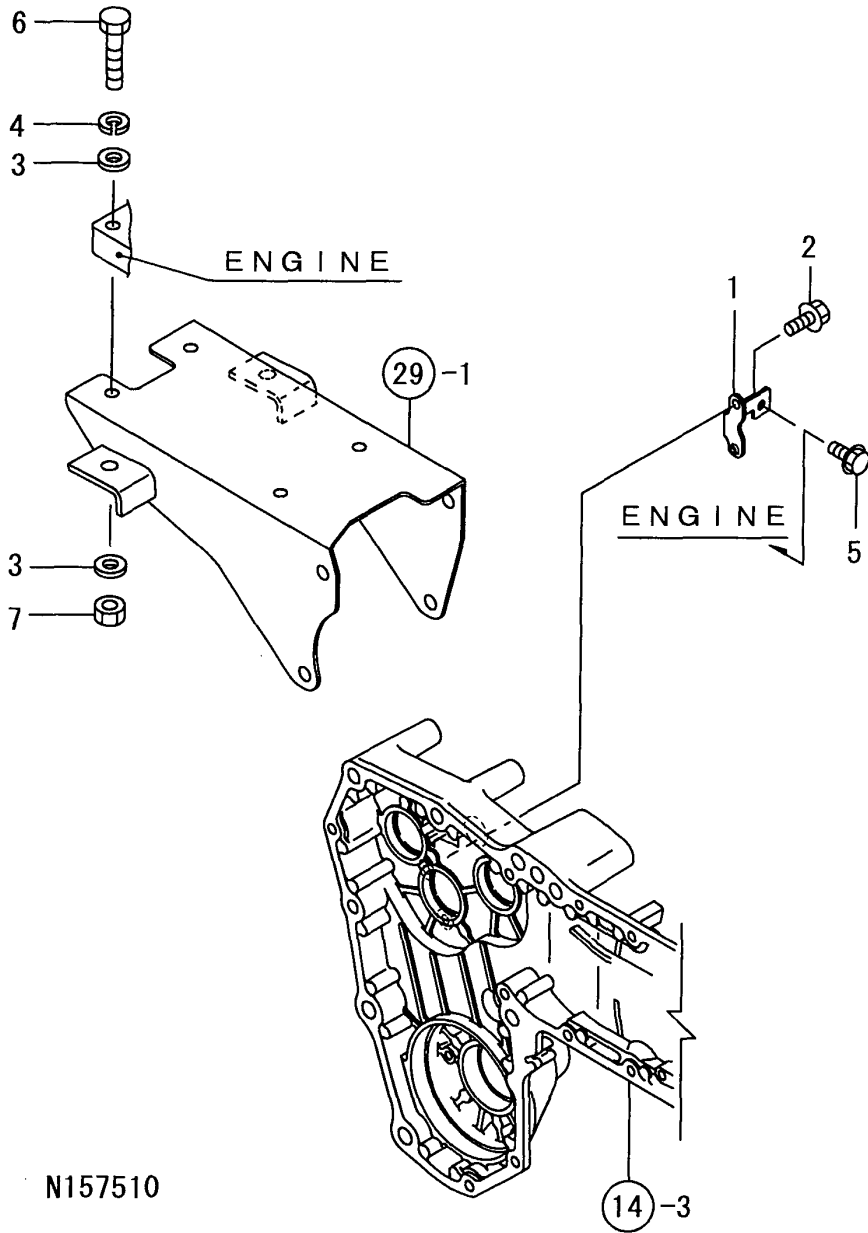
(E)=

(F)=

No.	Lev.	Parts No.	Description	Q'ty						I	R
				(A)	(B)	(C)	(D)	(E)	(F)		
1	1	160692-76070	STARTER ASSY, RECOIL	1							
2	2	160692-76270	STARTER ASSY, RECOIL	1							
3	3	160692-76640	CASE ASSY, STARTER	1							
4	3	160690-76600	REEL	1							
5	3	160690-76801	RATCHET	2							
6	3	160698-76580	SCREW	1							
7	3	160690-76650	GUIDE, RATCHET	1							
8	3	160690-76640	SPRING, SPIRAL	1							
9	3	160690-76561	SPRING, FRICTION	1							
10	3	160690-76570	SPRING, RETURN	2							
13	3	160698-76670	KNOB, STARTER	1							
14	2	160692-76600	PULLEY, STARTER	1							
15	1	29610-000950	CLAMP, SPEED 095	1							
16	1	26106-060082	BOLT, M6X 8 PLATED	4							
17	1	160699-45010	CASE, COOLING FAN	1							
18	1	160592-45020	CASE, COOLING FAN	1							
19	1	26476-060142	SCREW, TAPPING M6X14	4							
20	1	26476-060142	SCREW, TAPPING M6X14	1							
21	1	160793-78010	PLUG, SPARK	1							
22	1	160692-78010	CAP, PLUG	1							
23	1	160699-45200	COVER	1							
24	1	160590-78092	MAGNETIC ASSY	1							
25	2	160590-78533	COIL, IGNITION	1							
26	2	160590-78542	ROTOR	1							
27	1	160690-78230	WIRE	1							
28	1	160700-78720	GROMMET	1							
29	1	26476-060302	SCREW, TAPPING M6X30	2							
30	1	29610-000650	CLAMP, SPEED 065	1							

Remarks
 (REMARKS)"EFFECTIVE MACHINE NO." OF
 ENGINE IS INDICATED ON THE
 ENGINE LABEL WHICH IS SHOWN
 IN FIG.9.

Fig.10. ENGINE MOUNTING



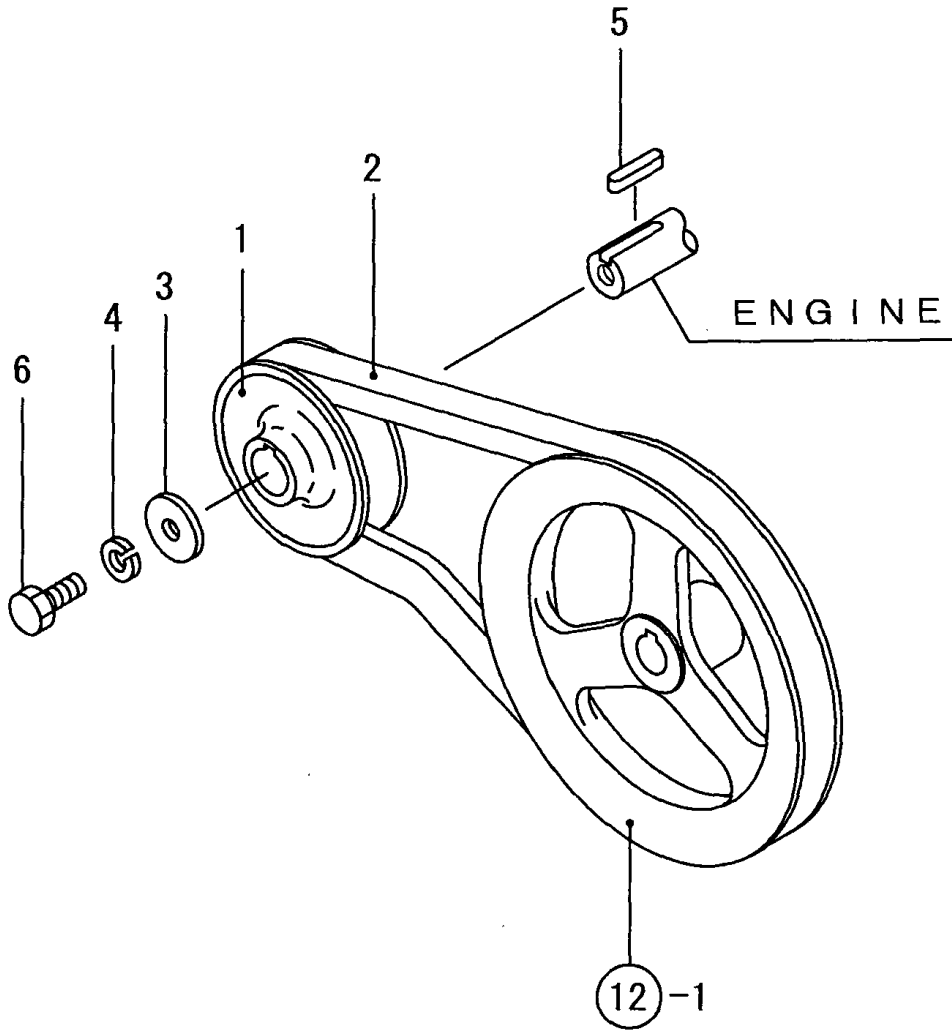
N157510

(A)=MRT40A
(B)=
(C)=

(D)=
(E)=
(F)=

No.	Lev.	Parts No.	Description	Q'ty						I	R
				(A)	(B)	(C)	(D)	(E)	(F)		
1	1	1A2420-11500	STAY COMP.,FUEL COCK	1							
2	1	1A1750-90200	SCREW 6X12,COLLAR HD	1							
3	1	22137-080000	WASHER, 8	8							
4	1	22217-080000	WASHER, SPRING 8	4							
5	1	26107-060122	BOLT M 6X 12 PLATED	1							
6	1	26117-080402	BOLT M 8X 40	4							
7	1	26717-080002	NUT, M8	4							

Fig.11. ENGINE PULLEY



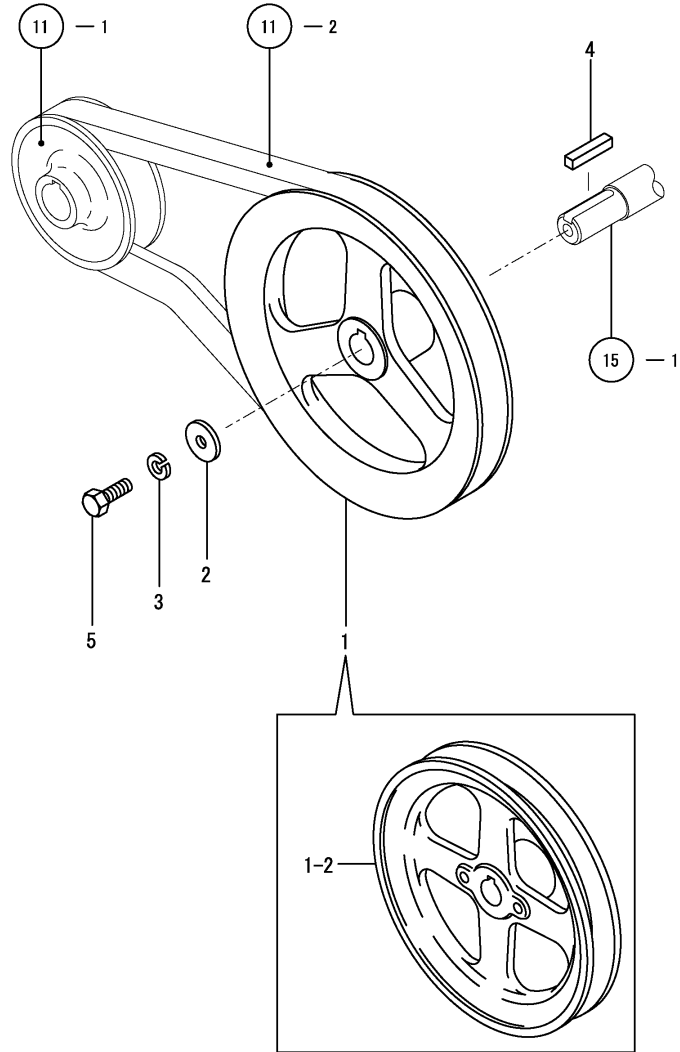
(A)=MRT40A
(B)=
(C)=

(D)=
(E)=
(F)=

No.	Lev.	Parts No.	Description	Q'ty						I	R
				(A)	(B)	(C)	(D)	(E)	(F)		
1	1	1A2420-12100	PULLEY 75	1							
2	1	1A2320-12200	V-BELT(SB29	1							
3	1	22157-080000	WASHER, 8	1							
4	1	22217-080000	WASHER, SPRING 8	1							
5	1	22512-050300	KEY, 5X 30	1							
6	1	26117-080162	BOLT M 8X 16 PLATED	1							

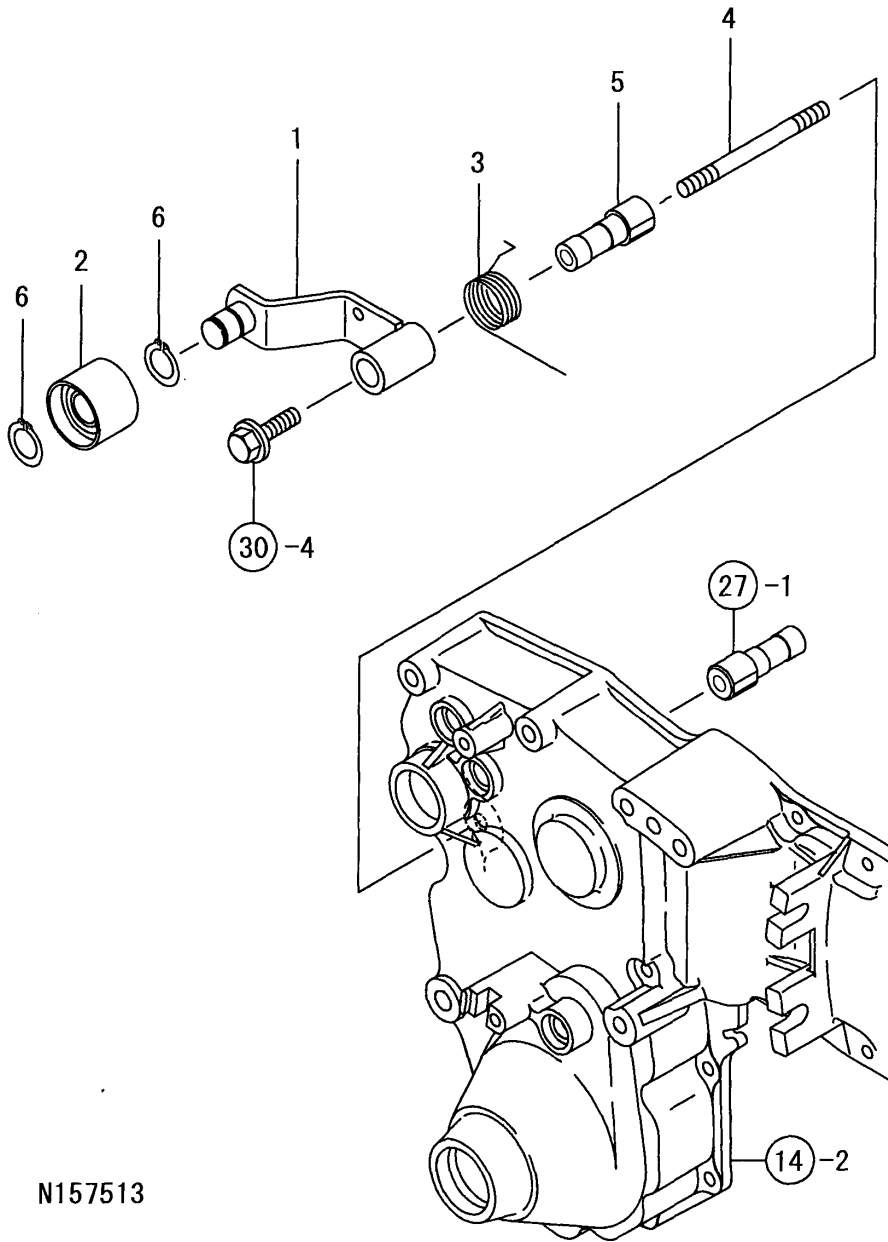
N157511

Fig.12. MAIN PULLY



No.	Lev.	Parts No.	Description	Q'ty						I	R
				(A)	(B)	(C)	(D)	(E)	(F)		
1	1	1A2320-13300	V-PULLEY 160	1							
1-1	1	1A2320-13301	V PULLEY	1							N
(A=FXXXXX)											
1-2	1	1A2740-13300	V PULLEY	1							N
(A=FXXXXX)											
2	1	22157-060000	WASHER, 6	1							
3	1	22217-060000	WASHER, SPRING 6	1							
4	1	22550-050250	KEY 5X25	1							
5	1	26117-060162	BOLT M 6X 16 PLATED	1							

Fig.13. TENSION CLUTCH



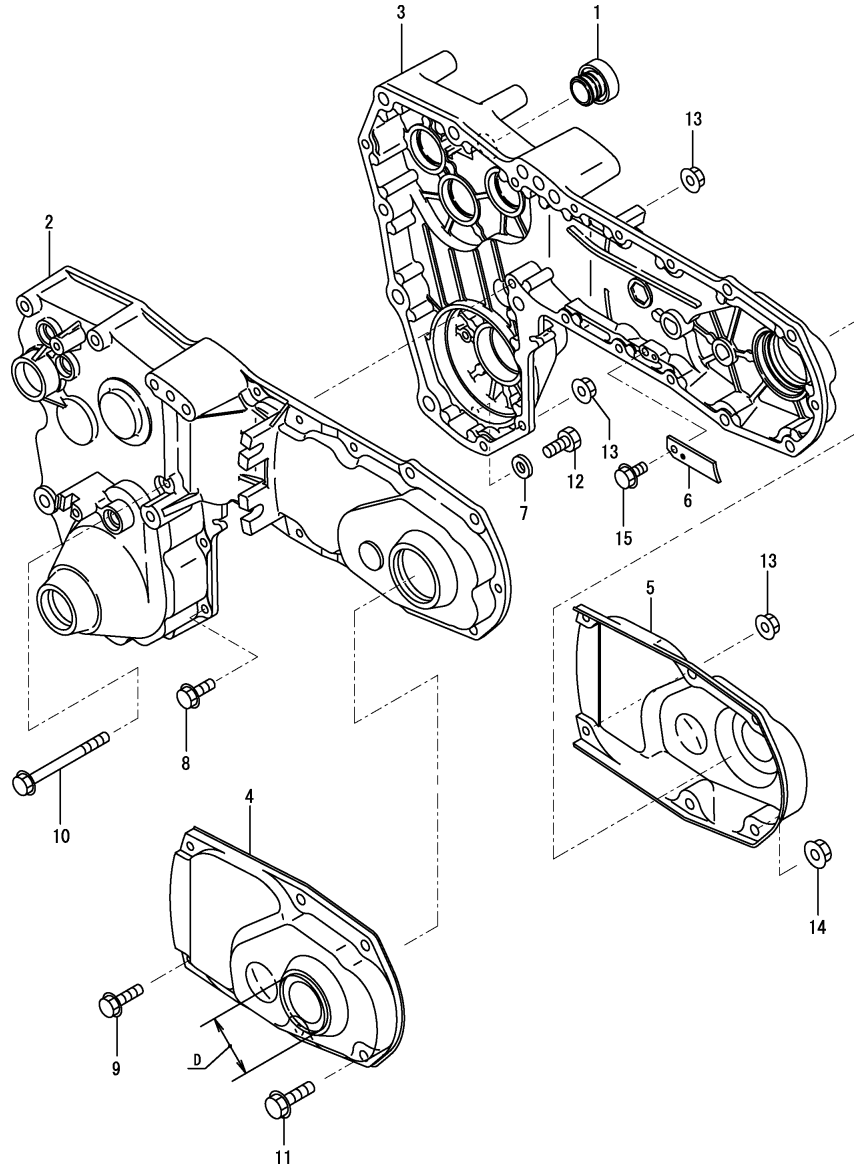
N157513

(A)=MRT40A
(B)=
(C)=

(D)=
(E)=
(F)=

No.	Lev.	Parts No.	Description	Q'ty						I	R
				(A)	(B)	(C)	(D)	(E)	(F)		
1	1	1A2420-13000	ARM COMPL,TENSION	1							
2	1	1A2420-13100	ROLLER COMP.,TENSION	1							
3	1	1A2420-13120	SPRING, RETURN	1							
4	1	1A2150-13150	BOLT M 6X70	1							
5	1	1A2320-13250	NUT,TENSION	1							
6	1	22242-000150	RING, 15	2							

Fig.14. TRANSMISSION CASE RZ



Remarks
 * Mission assy.
 (1)D(inside)=Ref.No.4,5 50mm,
 No.4-1,5-1 67mm.
 Interchangeable by simultaneous
 replacement with Ref.No.4-1,5-1
 and Fig.23 Ref.No.1-1,2-1,14-1.

(A)=MRT40A

(B)=

(C)=

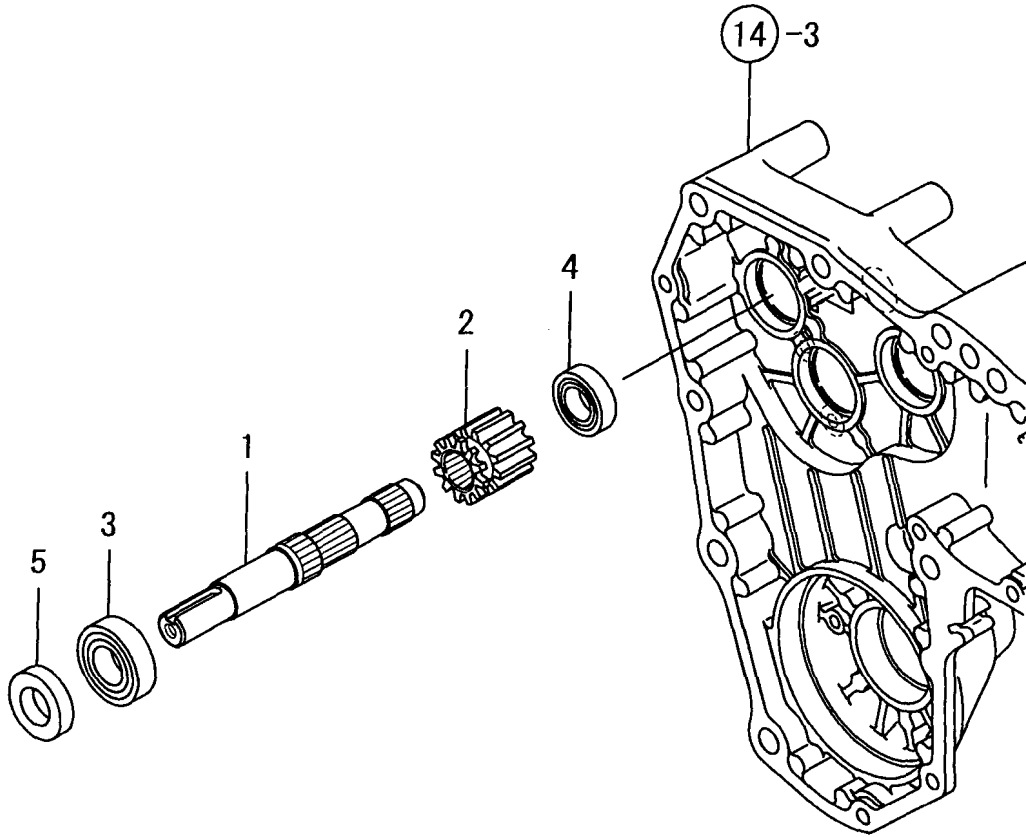
(D)=

(E)=

(F)=

No.	Lev.	Parts No.	Description	Q'ty						I	R
				(A)	(B)	(C)	(D)	(E)	(F)		
1	1	1A1470-20090	CAP 35,OIL FILLER	1							
2	1	1A2420-21051	TRANSMISSION CASE L	1							
3	1	1A2420-21061	TRANSMISSION CASE R	1							
4	1	1A2420-21200	COVER L,PROTECTIVE	1							
4-1	1	1A2420-21500	COVER ASSY, L	1						S	1
(A=FXXXXX)											
5	1	1A2420-21210	COVER R,PROTECTIVE	1							
5-1	1	1A2420-21510	COVER ASSY, R	1						S	1
(A=FXXXXX)											
6	1	1A2420-42680	RETAINER,CHAIN	1							
7	1	23414-080000	GASKET, 8X1.0	1							
8	1	26106-060202	BOLT, M6X 20 PLATED	9							
9	1	26106-060282	BOLT, M6X 28 PLATED	2							
10	1	26106-060902	BOLT, M6X 90 PLATED	2							
11	1	26107-080252	BOLT M 8X 25 PLATED	2							
12	1	26117-080122	BOLT M 8X 12 PLATED	1							
13	1	26367-060002	NUT, M6	13							
14	1	26367-080002	NUT, M8	2							
15	1	26476-060102	SCREW, TAPPING M6X10	1							

Fig.15. MAIN SHAFT



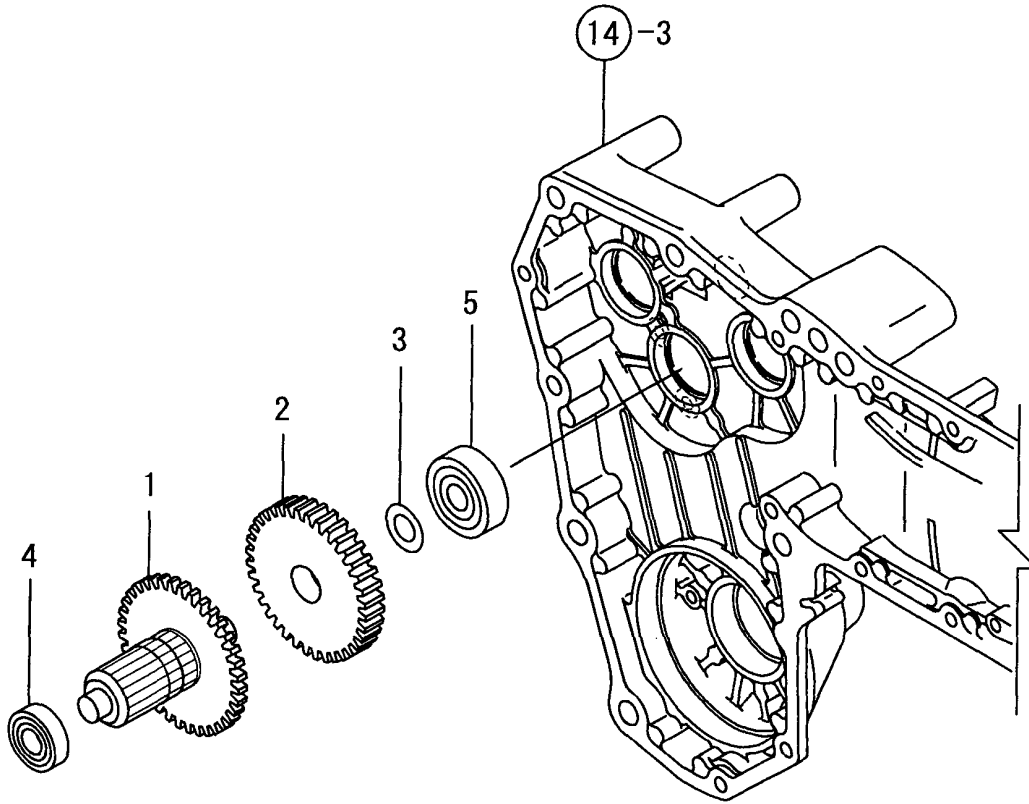
N157515

(A)=MRT40A
(B)=
(C)=

(D)=
(E)=
(F)=

No.	Lev.	Parts No.	Description	Q'ty						I	R
				(A)	(B)	(C)	(D)	(E)	(F)		
1	1	1A2420-23001	SHAFT,MAIN	1							
2	1	1A2420-23011	GEAR	1							
3	1	24101-060034	BEARING, BALL 6003	1							
4	1	24101-062024	BEARING, BALL 6202	1							
5	1	24421-173007	SEAL, OIL TC173007	1							

Fig.16. COUNTER SHAFT

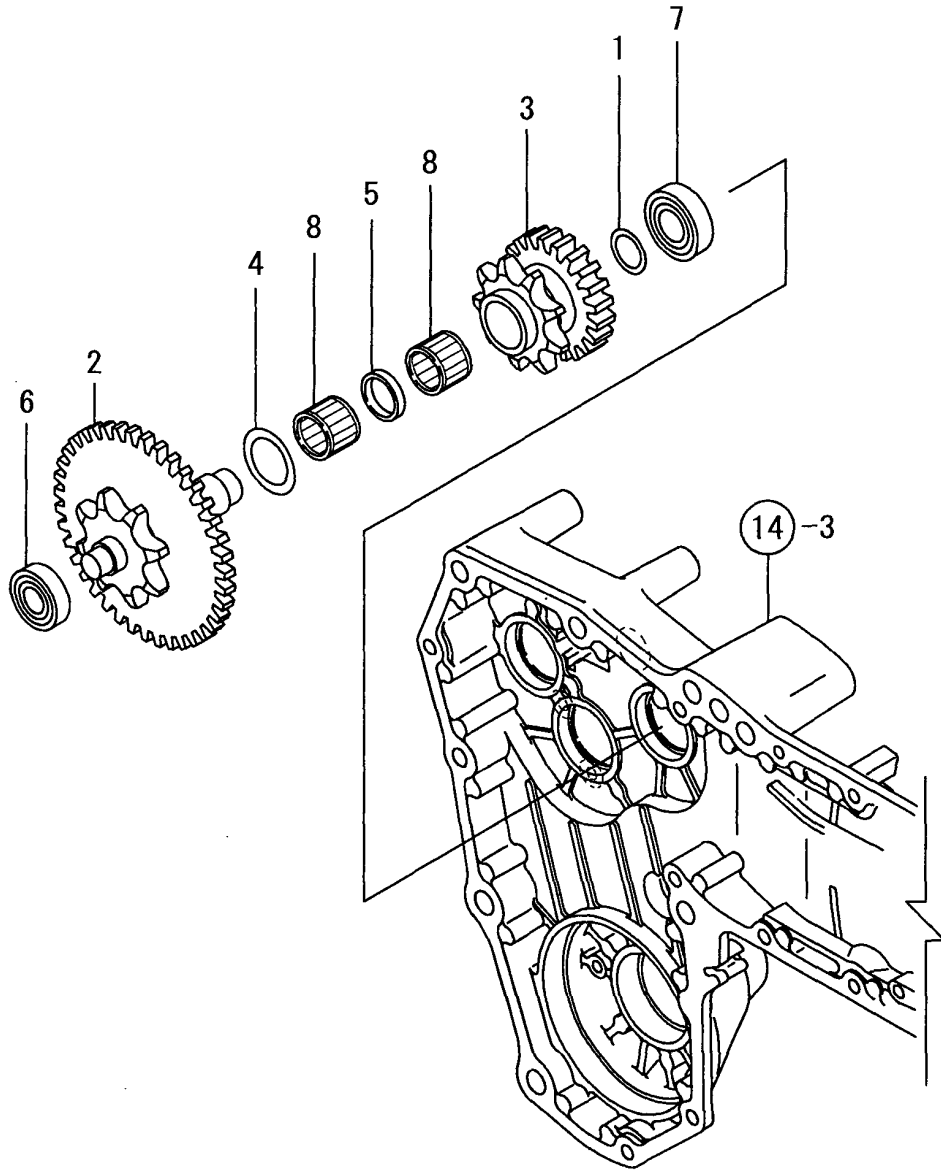


(A)=MRT40A
(B)=
(C)=

(D)=
(E)=
(F)=

No.	Lev.	Parts No.	Description	Q'ty						I	R
				(A)	(B)	(C)	(D)	(E)	(F)		
1	1	1A2420-23100	SHAFT COMP.,COUNTER	1							
2	1	1A2420-23140	GEAR	1							
3	1	1A2320-23150	SIM	1							
4	1	24101-062014	BEARING, BALL 6201	1							
5	1	24101-063014	BEARING, BALL 6301	1							

Fig.17. FINAL SHAFT



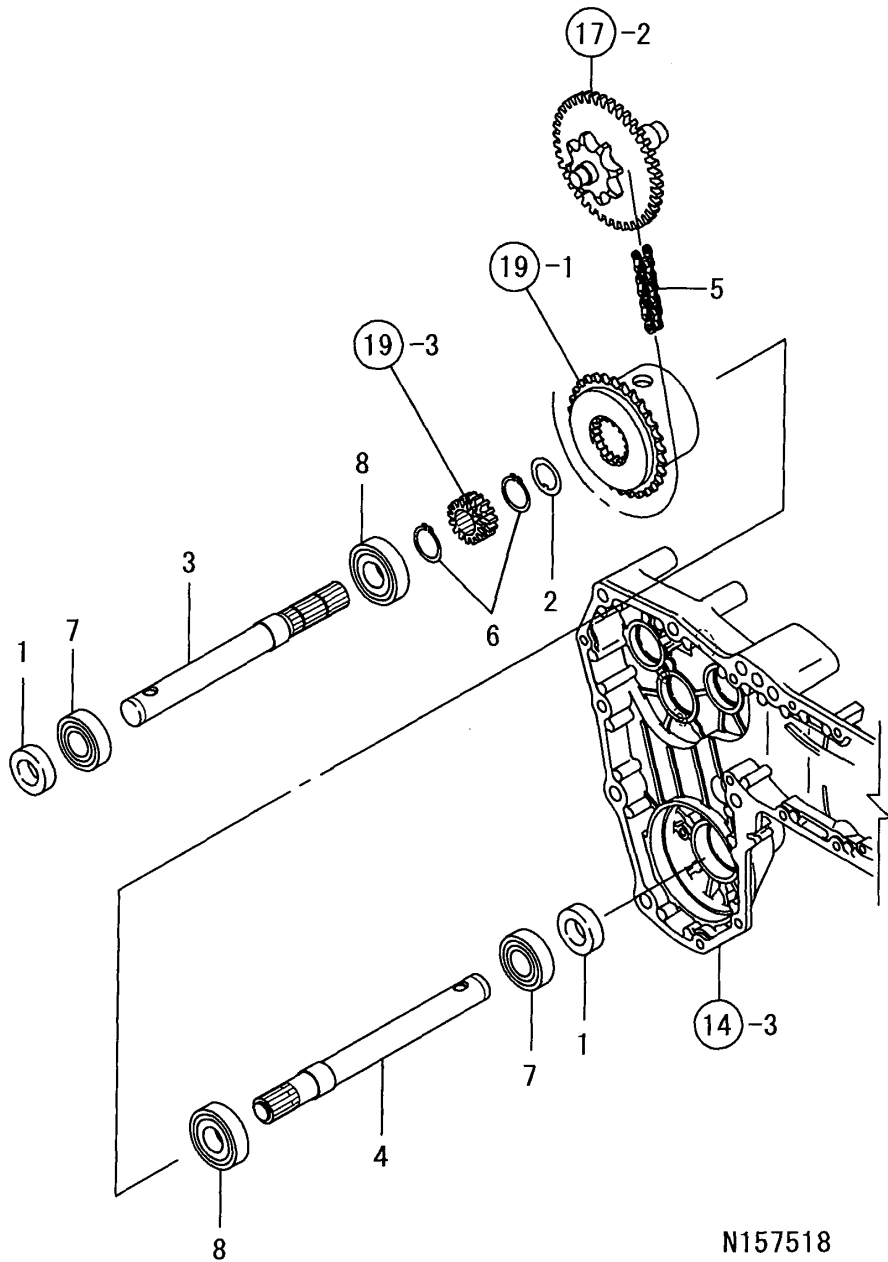
N157517

(A)=MRT40A
(B)=
(C)=

(D)=
(E)=
(F)=

No.	Lev.	Parts No.	Description	Q'ty						I	R
				(A)	(B)	(C)	(D)	(E)	(F)		
1	1	1A1735-23250	SPACER 15X24X1.0	1							
2	1	1A2420-23320	SHAFT COMPL,FINAL	1							
3	1	1A2420-23370	GEAR	1							
4	1	1A1950-23400	LINER	1							
5	1	1A2420-23430	COLLAR 18X22X4	1							
6	1	24101-062014	BEARING, BALL 6201	1							
7	1	24101-062024	BEARING, BALL 6202	1							
8	1	24161-182217	BEARING, 182217	2							

Fig.18. AXLE



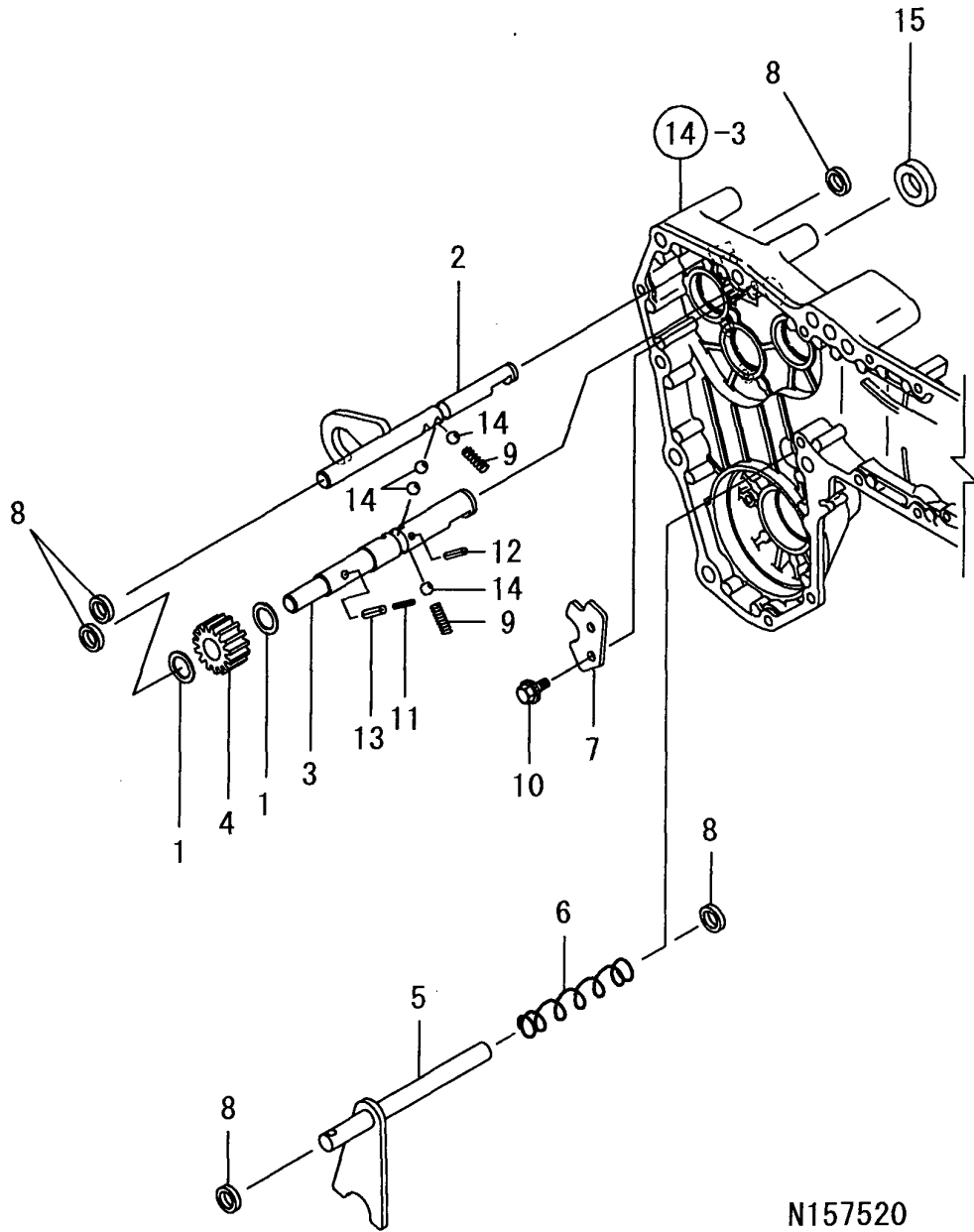
N157518

(A)=MRT40A
(B)=
(C)=

(D)=
(E)=
(F)=

No.	Lev.	Parts No.	Description	Q'ty						I	R
				(A)	(B)	(C)	(D)	(E)	(F)		
1	1	1E6050-19180	SEAL, TCX20X35X10	2							
2	1	1A1490-20170	THRUST WASHER 30	1							
3	1	1A2420-24001	SHAFT(L)	1							
4	1	1A2420-24011	AXLE R	1							
5	1	1A2420-24050	ROLLER CHAIN	1							
6	1	22242-000200	RING, 20	2							
7	1	24101-060044	BEARING, BALL 6004	2							
8	1	24101-062044	BEARING, BALL 6204	2							

Fig.20. MAIN CHANGE



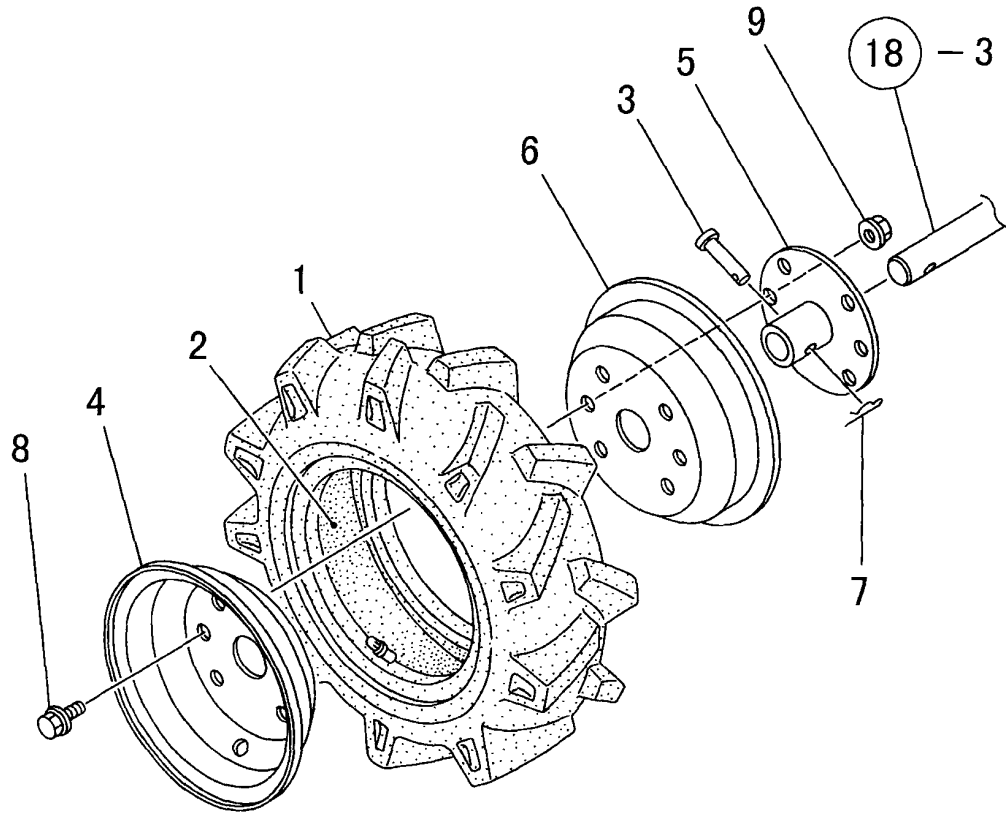
N157520

(A)=MRT40A
(B)=
(C)=

(D)=
(E)=
(F)=

No.	Lev.	Parts No.	Description	Qty						I	R
				(A)	(B)	(C)	(D)	(E)	(F)		
1	1	1A1860-20280	SHIM 15.22.1.0	2							
2	1	1A2420-27000	SHAFT A COMP.,FORK	1							
3	1	1A2420-27100	FORK SHAFT	1							
4	1	1A2420-27110	GEAR	1							
5	1	1A2170-27150	FORK COMP.,DIFF.LOCK	1							
6	1	1A2170-27180	SPRING 15X90	1							
7	1	1A2320-27300	PLATE	1							
8	1	1A1104-28230	OIL SEAL 12184	5							
9	1	1E6150-56040	SPRING, FORK	2							
10	1	1A1750-90200	SCREW 6X12,COLLAR HD	2							
11	1	22351-030020	PIN, SPRING 3.0X20	1							
12	1	22351-040020	PIN, SPRING 4.0X20	1							
13	1	22351-050020	PIN, SPRING 5.0X20	1							
14	1	24190-100001	BALL, STEEL 5/16	4							
15	1	24421-173007	SEAL, OIL TC173007	1							

Fig.21. TIRE



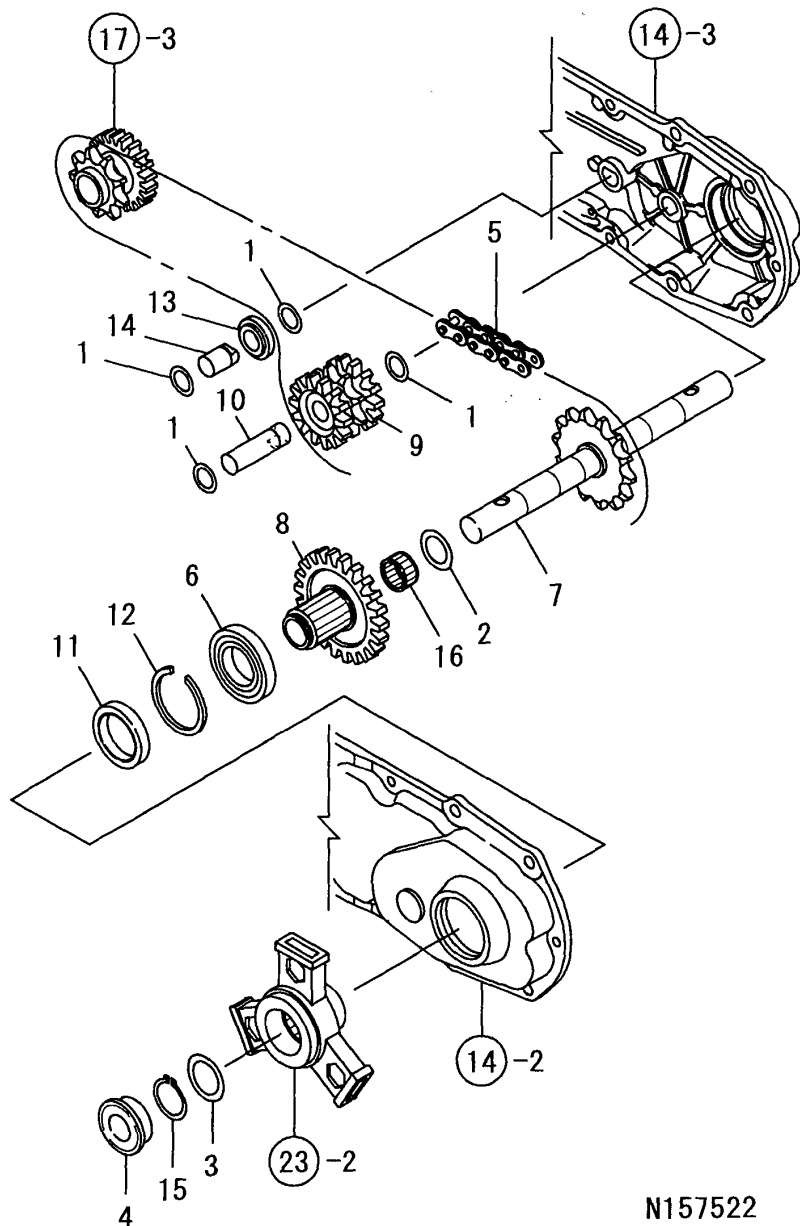
N157521

(A)=MRT40A
(B)=
(C)=

(D)=
(E)=
(F)=

No.	Lev.	Parts No.	Description	Q'ty						I	R
				(A)	(B)	(C)	(D)	(E)	(F)		
1	1	1A1470-30070	TIRE 3.50-6	2							
2	1	1A1470-30080	TUBE 3.50-6,TIRE	2							
3	1	1A2170-31050	PIN,SHAFT	2							
4	1	1A2170-31110	WHEEL 6,OUTER TIRE	2							
5	1	1A2170-31201	FLANGE 6 COMP.,WHEEL	2							
6	1	1A2010-31311	WHEEL,TIRE INNER	2							
7	1	1A1540-46020	PIN 8,SNAP	2							
8	1	26107-080182	BOLT M 8X 18 PLATED	8							
9	1	26367-080002	NUT, M8	8							

Fig.22. TILLING SHAFT RZ



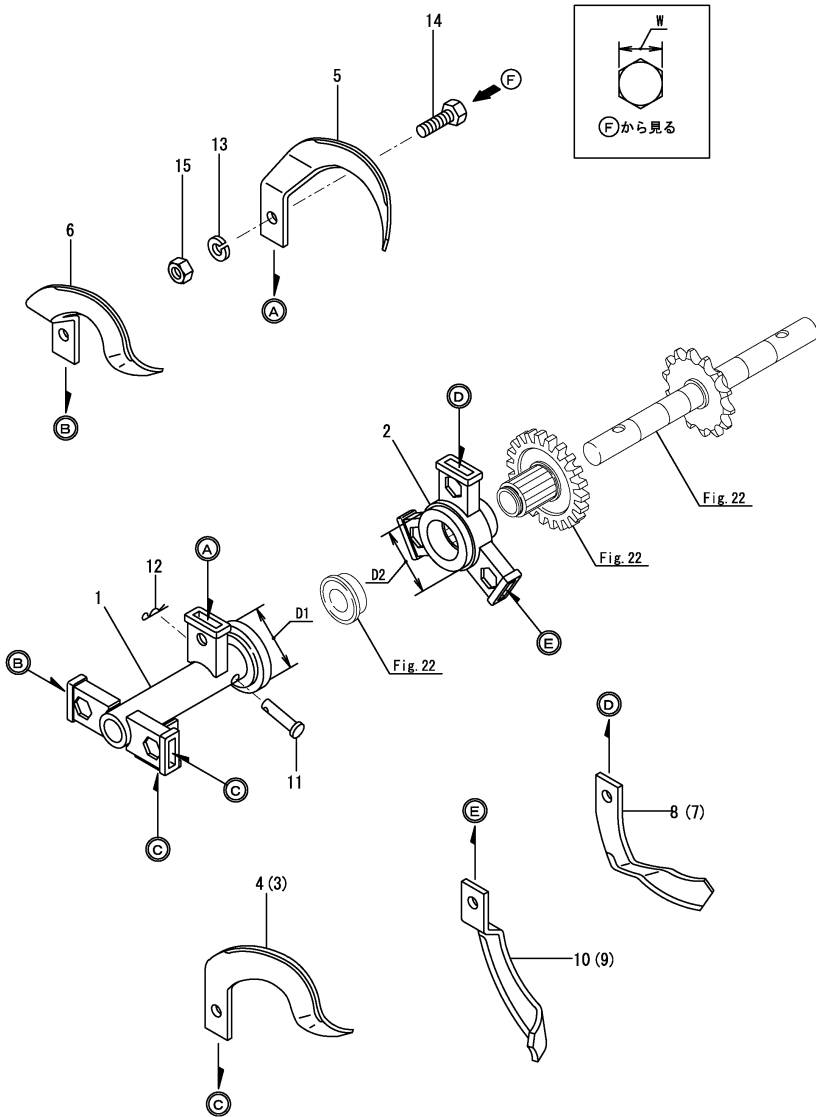
N157522

(A)=MRT40A
(B)=
(C)=

(D)=
(E)=
(F)=

No.	Lev.	Parts No.	Description	Qty						I	R
				(A)	(B)	(C)	(D)	(E)	(F)		
1	1	1A1860-20280	SHIM 15.22.1.0	4							
2	1	1A1105-23200	LINER 30X20.2X1	2							
3	1	1A1321-23210	LINER	2							
4	1	1A2170-24360	OIL SEAL	2							
5	1	1A2420-42160	ROLLER CHAIN	1							
6	1	1A2420-42170	BEARING	2							
7	1	1A2420-42501	SHAFT,TILLING	1							
8	1	1A2420-42550	GEAR,REVERSAL	2							
9	1	1A2420-42600	GEAR,REVERSAL	1							
10	1	1A2171-42650	REVERSAL SHAFT	1							
11	1	1A2420-42650	OIL SEAL	2							
12	1	1A2420-42662	COLLAR	2							
13	1	1A2171-42680	ROLLER	1							
14	1	1A2171-42690	SHAFT	1							
15	1	22242-000250	RING, 25	2							
16	1	24161-202413	BEARING, 202413	2							

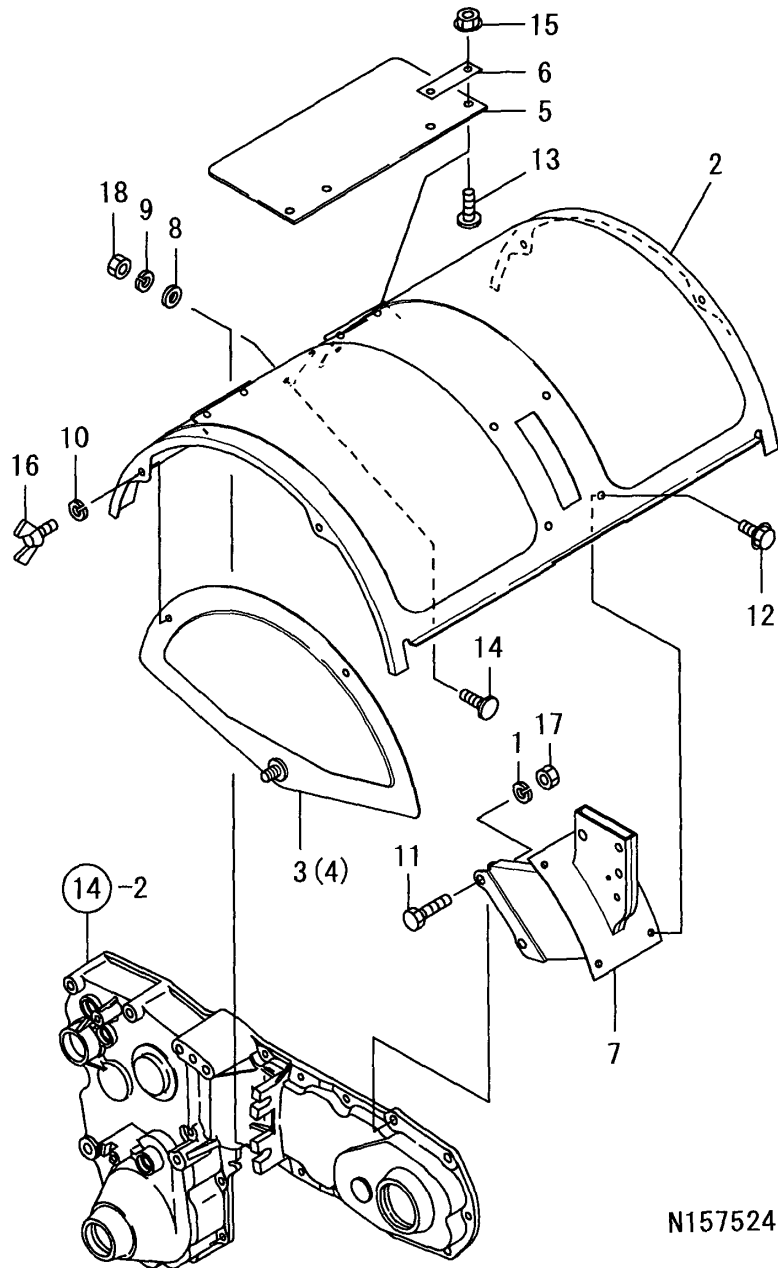
Fig.23. TINE SHAFT RZ



No.	Lev.	Parts No.	Description	Qty						I	R
				(A)	(B)	(C)	(D)	(E)	(F)		
1	1	1A2420-43100	SHAFT COMP.,TINE	2							
1-1	1	1A2420-43500	SHAFT ASSY, TINE	2						S	1
(A=FXXXXXX)											
2	1	1A2420-43270	TINE SHAFT,REVERSAL	2							
2-1	1	1A2420-43700	SHAFT ASSY,	2						S	1
(A=FXXXXXX)											
3	1	1A2320-43500	TAIN L	2							
4	1	1A2320-43510	TAIN R	2							
5	1	1A2320-43520	SPADING TINE L,ECCNT	2							
6	1	1A2320-43530	SPADING TINE R	2							
7	1	1A2171-43851	TINE L,ECCTRIC	2							
8	1	1A2171-43861	TINE R,ECCTRIC	2							
9	1	1A2171-43870	TINE L, TWIST	1							
10	1	1A2171-43880	TINE R, TWIST	1							
11	1	1A1540-46010	PIN 8X35,FLAT HEAD	2							
12	1	1A1540-46020	PIN 8,SNAP	2							
13	1	22217-100000	WASHER, SPRING 10	14							
14	1	26207-100222	BOLT, M10X 22 PLATED	14							
14-1	1	26117-100222	BOLT M10X 22 PLATED	6						S	2
(A=FXXXXXX)											
15	1	26707-100002	NUT, M10	14							

Remarks
 (1)D1(inside):Ref.No.1 56mm,
 No.1-1 67mm.
 D2(outside):Ref.No.2 54mm,
 No.2-1 65mm.
 Interchangeable by simultaneous
 replacement with Ref.1-1,2-1,14-1
 and Fig.16 Ref.No.4-1,5-1.
 (2)W=Ref.No.14 17mm, No.14-1 14mm.

Fig.24. TILING COVER RZ



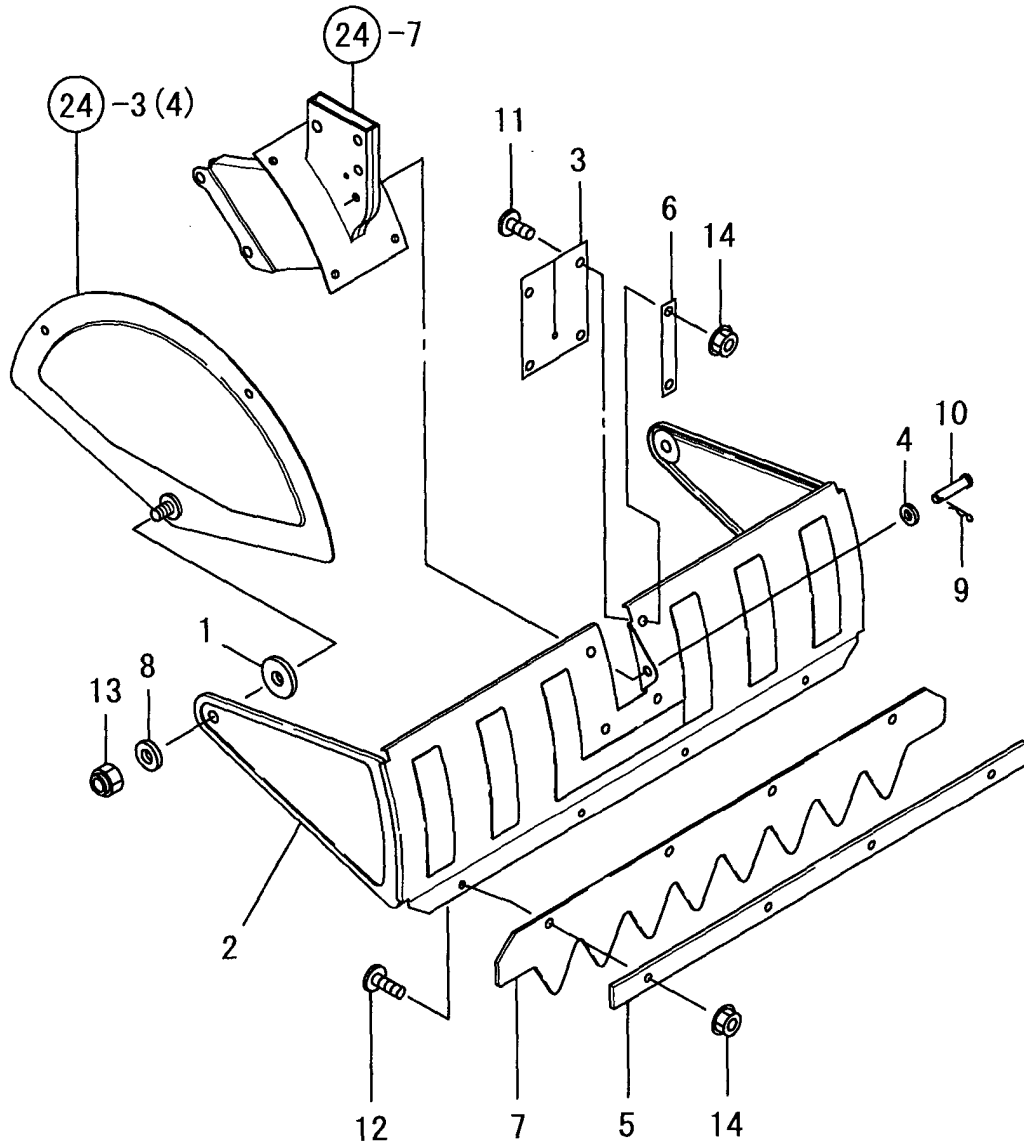
N157524

(A)=MRT40A
(B)=
(C)=

(D)=
(E)=
(F)=

No.	Lev.	Parts No.	Description	Q'ty						I	R
				(A)	(B)	(C)	(D)	(E)	(F)		
1	1	1E6570-35150	WASHER, SPRING 3/8	2							
2	1	1A2429-44000	COVER, ROTARY	1							
3	1	1A2420-44020	COVER L,SIDE	1							
4	1	1A2420-44040	COVER R,SIDE	1							
5	1	1A2171-44300	FRONT SHEET	1							
6	1	1A2150-44350	RETAINER,MID.OP.SEAT	2							
7	1	1A2420-44400	BOX COMP,TILL DEPTH	1							
8	1	22137-080000	WASHER, 8	4							
9	1	22217-080000	WASHER, SPRING 8	4							
10	1	22287-060000	WASHER 6	4							
11	1	26076-080322	BOLT, 10.98X 32	2							
(A=FXXXXXX)											
12	1	26107-060122	BOLT M 6X 12 PLATED	4							
13	1	26167-060122	BOLT, M6X 12 PLATED	4							
14	1	26167-080252	BOLT, M8X 25 PLATED	4							
15	1	26367-060002	NUT, M6	4							
16	1	26647-060152	BOLT, WING M6X15	4							
17	1	26716-080002	NUT, M8	2							
18	1	26717-080002	NUT, M8	4							

Fig.25. AUXILIARY COVER



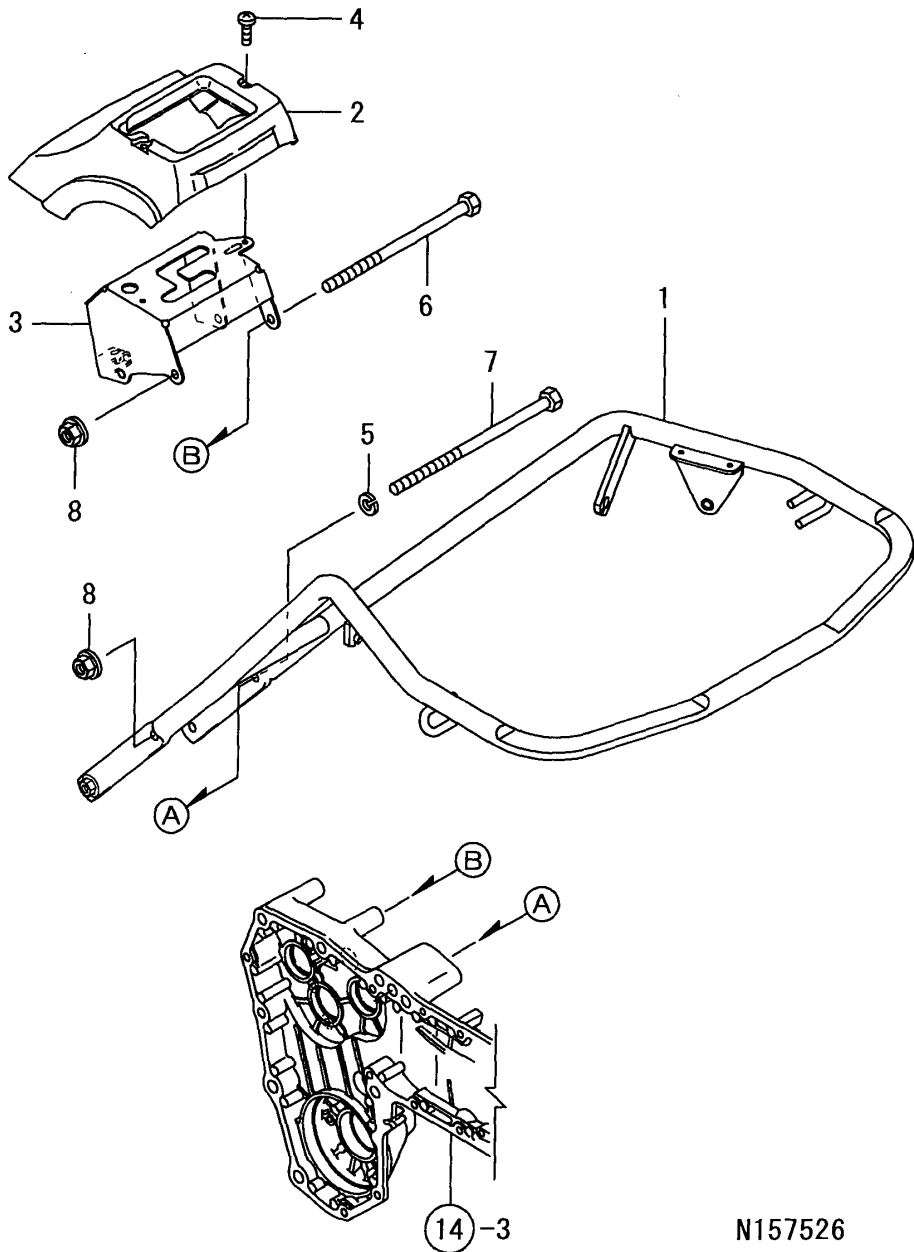
N157525

(A)=MRT40A
(B)=
(C)=

(D)=
(E)=
(F)=

No.	Lev.	Parts No.	Description	Q'ty						I	R
				(A)	(B)	(C)	(D)	(E)	(F)		
1	1	1A2170-44070	SPACER 10X30X1.5	2							
2	1	1A2429-44100	COVER,MOVE-ROUND	1							
3	1	1A2420-44160	SHEET	1							
4	1	1A2170-44260	BUSH 6X15X3	1							
5	1	1A2390-44510	PLATE	1							
6	1	1A2150-44590	FITTINGS,OPR.SEAT	2							
7	1	1A2420-44610	SLACK RUBBER	1							
8	1	22137-100000	WASHER, 10	2							
9	1	22360-060000	PIN, SNAP 6	1							
10	1	22487-060300	PIN, H 6X 30	1							
11	1	26167-060122	BOLT, M6X 12 PLATED	4							
12	1	26167-060162	BOLT, M6X 16 PLATED	4							
13	1	26347-100002	NUT, M10	2							
14	1	26367-060002	NUT, M6	8							

Fig.26. HANDLE



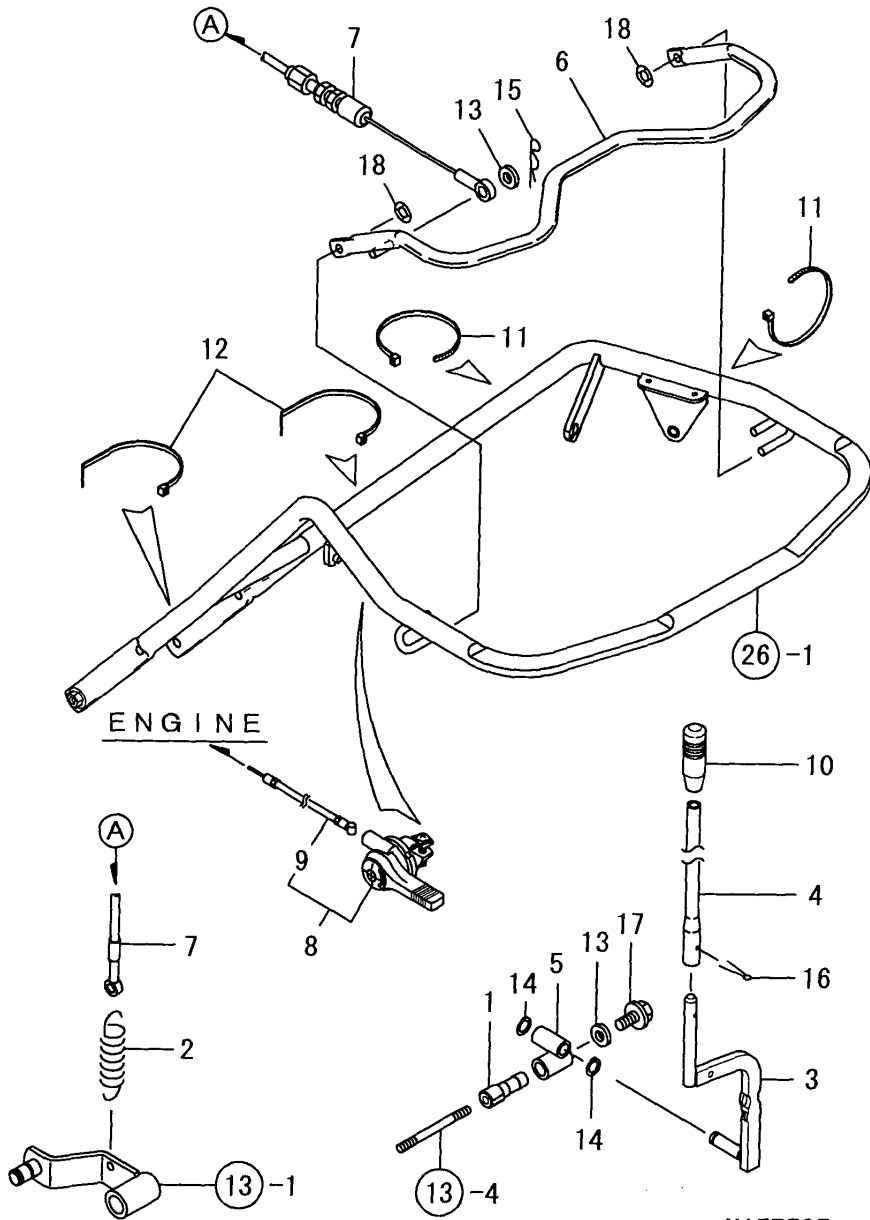
N157526

(A)=MRT40A
(B)=
(C)=

(D)=
(E)=
(F)=

No.	Lev.	Parts No.	Description	Q'ty						I	R
				(A)	(B)	(C)	(D)	(E)	(F)		
1	1	1A2480-51500	SEE 190060-81503	1							
2	1	1A2420-53001	COVER,CHANGE GUIDE	1							
3	1	1A2420-55001	GUIDE ASSY, LEVER	1							
4	1	1A1750-90060	SCREW 5X16,TAPPING	2							
5	1	22287-080000	WASHER, 8	2							
6	1	26116-081402	BOLT, M8X140 PLATED	2							
7	1	26117-081602	BOLT M 8X160 PLATED	2							
8	1	26367-080002	NUT, M8	3							

Fig.27. CONTROL LEVER



N157527

(A)=MRT40A

(B)=

(C)=

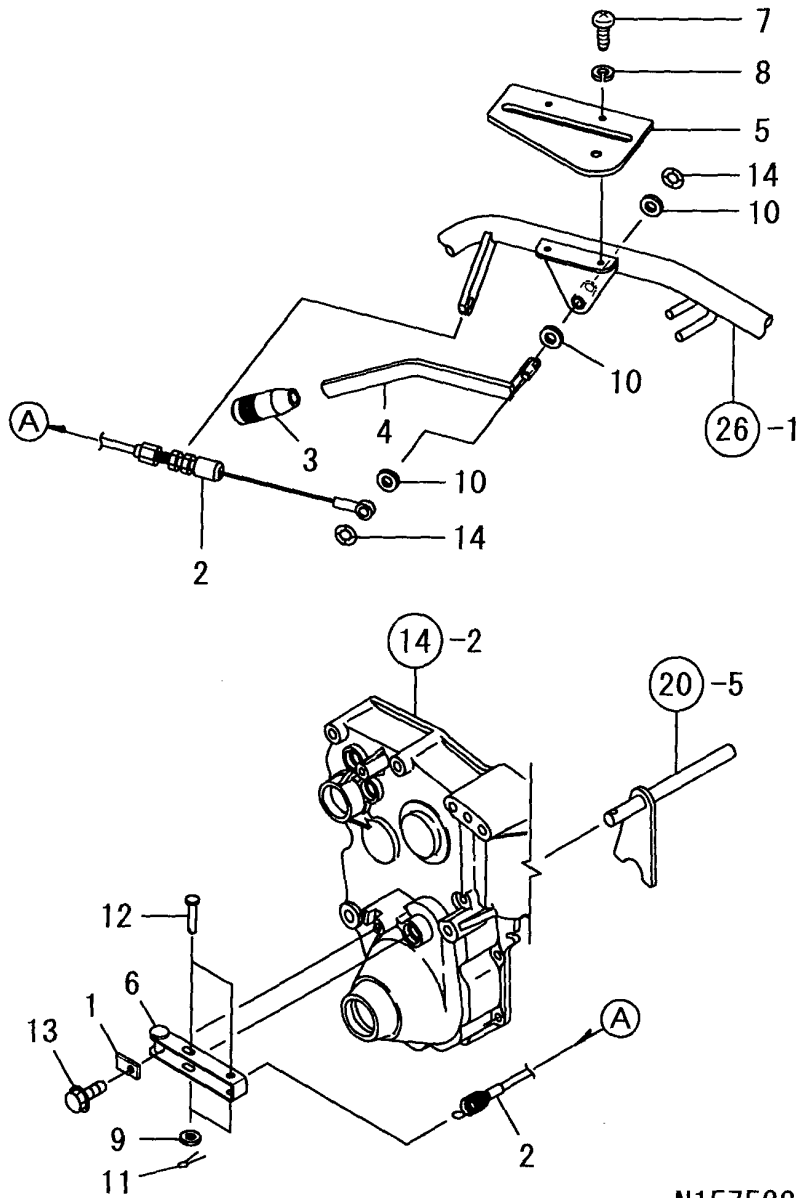
(D)=

(E)=

(F)=

No.	Lev.	Parts No.	Description	Q'ty						I	R
				(A)	(B)	(C)	(D)	(E)	(F)		
1	1	1A2320-13250	NUT,TENSION	1							
2	1	1A1400-16000	SPRING 17.2X59	1							
3	1	1A2420-55100	LEVER COMP.,CHANGE	1							
4	1	1A2420-55200	LEVER,CHANGE	1							
5	1	1A2420-55250	FULCRUM COMP.,CHANGE	1							
6	1	1A2320-55300	LEVER	1							
7	1	1A2420-55502	WIRE,MAIN CLUTCH	1							
8	1	1A2429-55500	LEVER COMP,ACCELERAT	1							
9	2	1A2132-55420	WIRE, ACCELERATE	1							
10	1	1A2220-55580	GRIP,ORANGE LEVER	1							
11	1	1A2320-55600	BAND, CABLE	2							
12	1	1A2320-55900	BAND	2							
13	1	22137-080000	WASHER, 8	2							
14	1	22242-000120	RING, 12	2							
15	1	22372-080000	PIN, SNAP 8	1							
16	1	22417-200250	PIN, COTTER 2.0X25	1							
17	1	26107-080122	BOLT M 8X 12 PLATED	1							
18	1	26892-000800	NUT, 8	2							

Fig.28. DIFFERENTIAL LOCK CONTROL



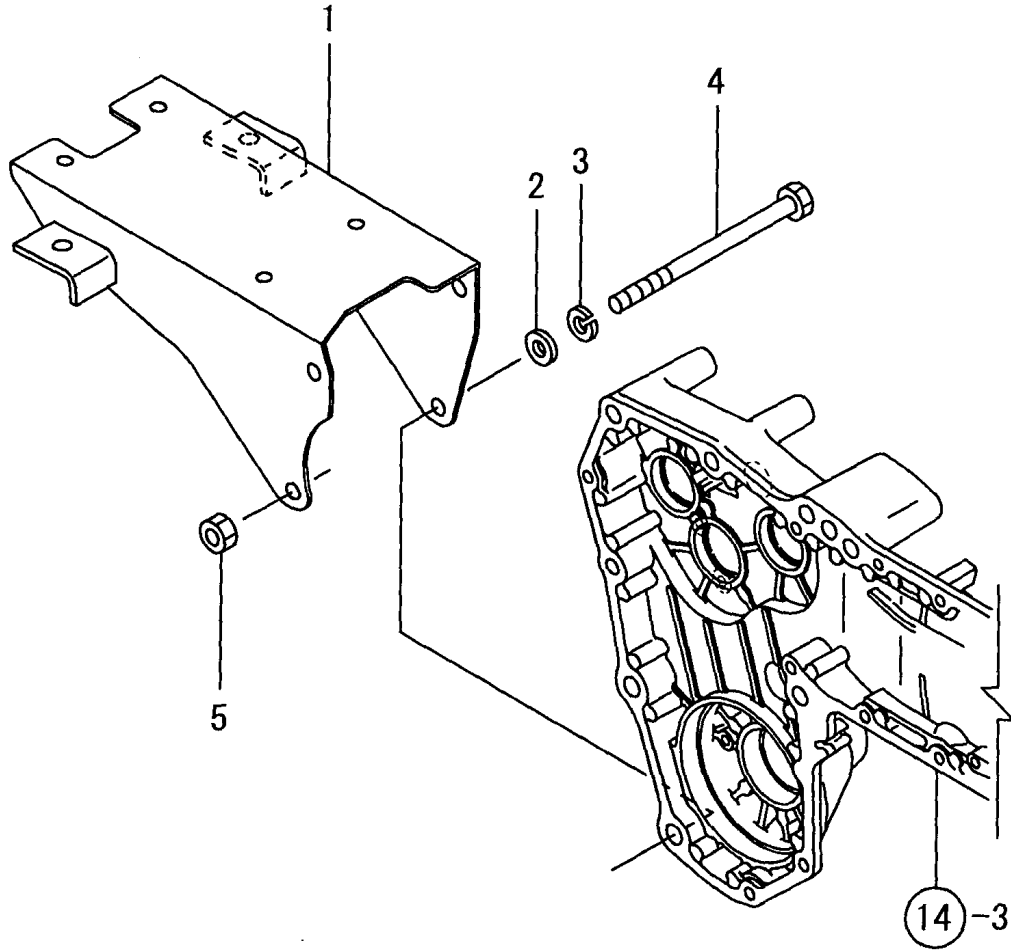
N157528

(A)=MRT40A
(B)=
(C)=

(D)=
(E)=
(F)=

No.	Lev.	Parts No.	Description	Q'ty						I	R
				(A)	(B)	(C)	(D)	(E)	(F)		
1	1	1A2420-27200	PLATE	1							
2	1	1A2420-55561	WIRE,DIFF.LOCK	1							
3	1	1A2220-55570	GRIP,YELLOW LEVER	1							
4	1	1A2420-55700	LEVER,DIFF LOCK	1							
5	1	1A2320-55750	LEVER GUIDE	1							
6	1	1A2150-55800	LEVER COMP.,TILLING	1							
7	1	1A1750-90050	SCREW 5X10,TAPPING	2							
8	1	1A1750-90110	WASHER 5,SPRING	2							
9	1	22137-060000	WASHER, 6	2							
10	1	22137-080000	WASHER, 8	3							
11	1	22417-160160	PIN, COTTER 1.6X16	2							
12	1	22487-060260	PIN, H 6X 26	2							
13	1	26476-060122	SCREW, TAPPING M6X12	1							
14	1	26892-000800	NUT, 8	2							

Fig.29. ENGINE FRAME



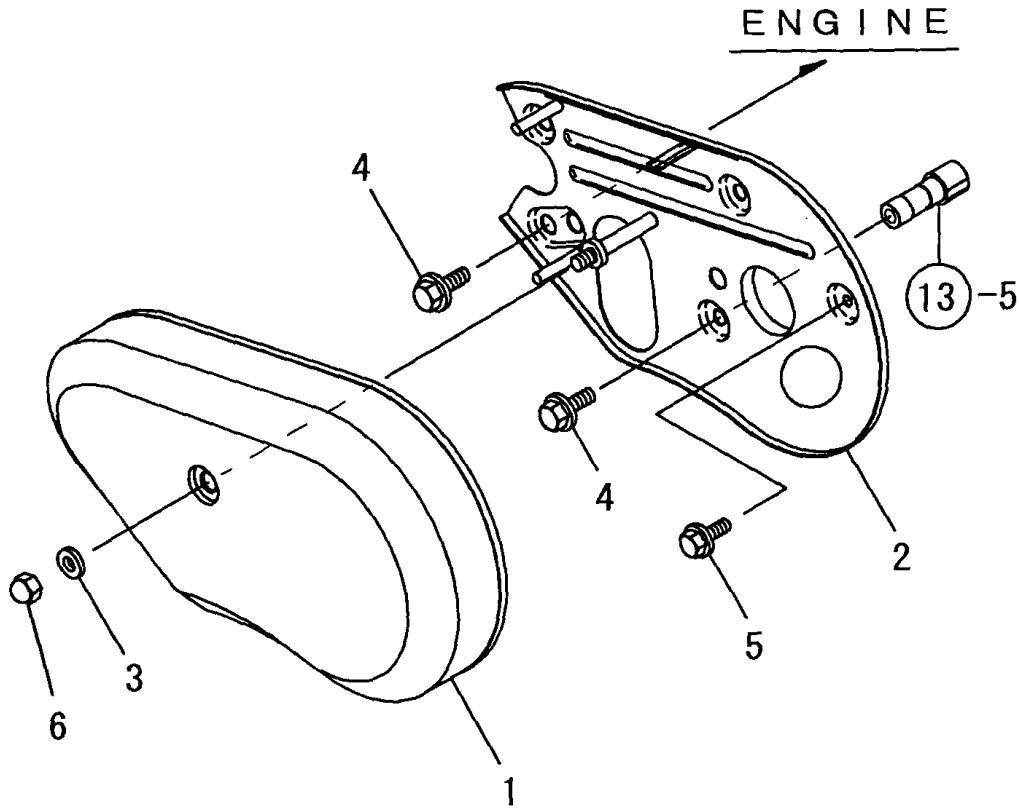
N157529

(A)=MRT40A
(B)=
(C)=

(D)=
(E)=
(F)=

No.	Lev.	Parts No.	Description	Q'ty						I	R
				(A)	(B)	(C)	(D)	(E)	(F)		
1	1	1A2420-61002	FRAME COMP.,ENGINE	1							
2	1	22137-100000	WASHER, 10	2							
3	1	22217-100000	WASHER, SPRING 10	2							
4	1	26157-101402	BOLT, M10X140 PLATED	2							
5	1	26737-100002	NUT, M10	2							

Fig.30. BELT COVER



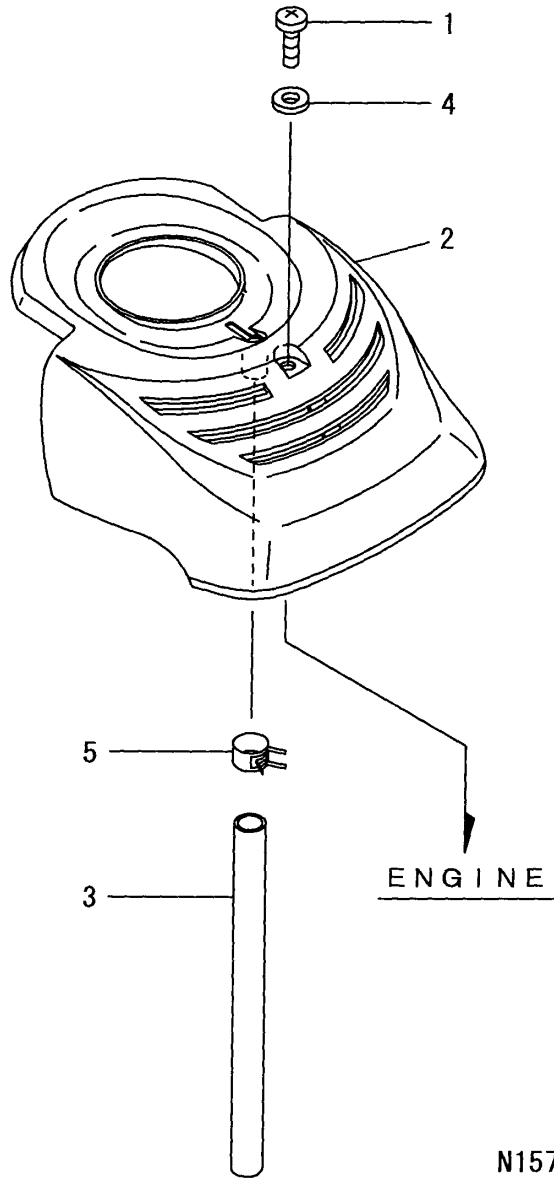
N157530

(A)=MRT40A
(B)=
(C)=

(D)=
(E)=
(F)=

No.	Lev.	Parts No.	Description	Q'ty						I	R
				(A)	(B)	(C)	(D)	(E)	(F)		
1	1	1A2420-62000	COVER, BELT	1							
2	1	1A2320-62301	COVER COMP.,BACK	1							
3	1	22137-080000	WASHER, 8	1							
4	1	26106-080122	BOLT, M8X 12 PLATED	2							
5	1	26107-060122	BOLT M 6X 12 PLATED	1							
6	1	26657-080002	NUT, CAP M8	1							

Fig.31. BONNET



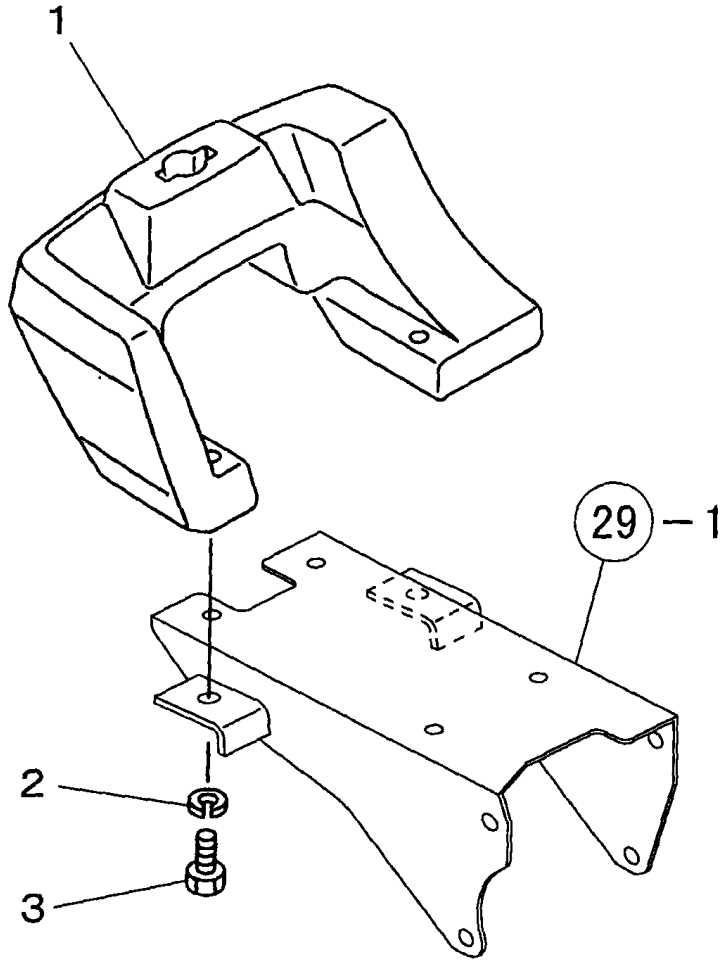
N157531

(A)=MRT40A
(B)=
(C)=

(D)=
(E)=
(F)=

No.	Lev.	Parts No.	Description	Q'ty						I	R
				(A)	(B)	(C)	(D)	(E)	(F)		
1	1	1A1735-55350	SCREW 6X12,PAN HD.	1							
2	1	1A2480-64200	REAR COVER	1							
3	1	1A2480-64300	PIPE	1							
4	1	1A1750-90160	WASHER 6, PLAIN	1							
5	1	23080-013000	CLAMP, 13	1							

Fig.32. BUMPER



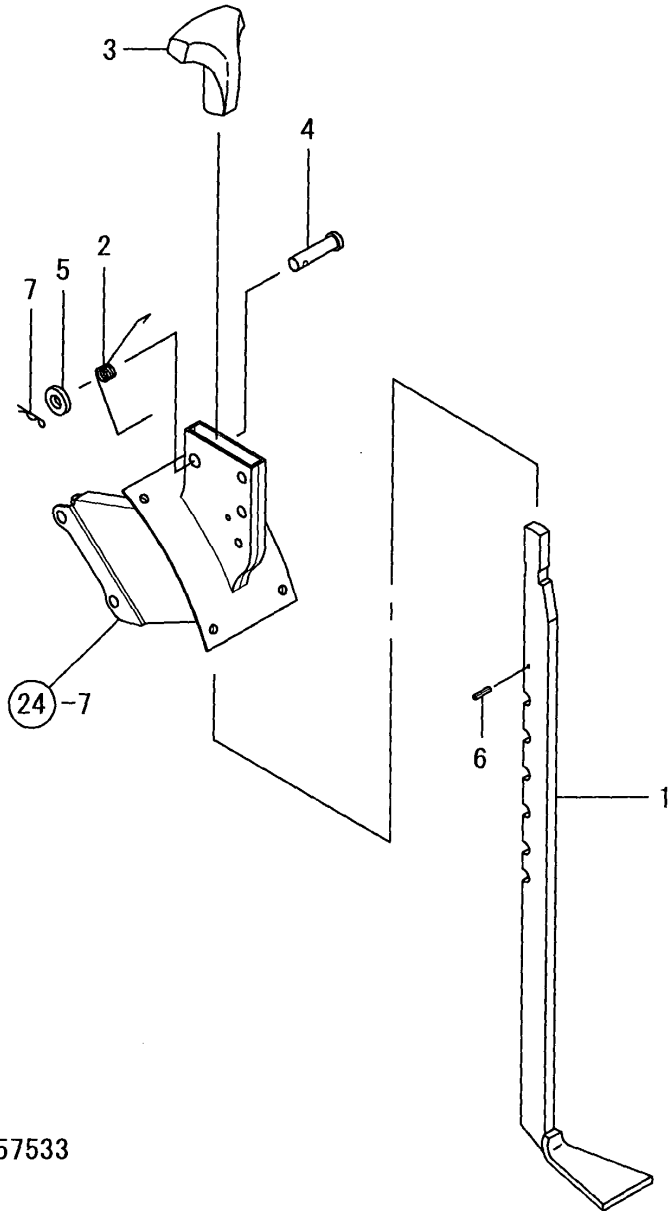
N157532

(A)=MRT40A
(B)=
(C)=

(D)=
(E)=
(F)=

No.	Lev.	Parts No.	Description	Q'ty						I	R
				(A)	(B)	(C)	(D)	(E)	(F)		
1	1	1A2170-62200	BUMPER	1							
2	1	22217-100000	WASHER, SPRING 10	2							
3	1	26117-100202	BOLT M10X 20 PLATED	2							

Fig.33. SKID RZ



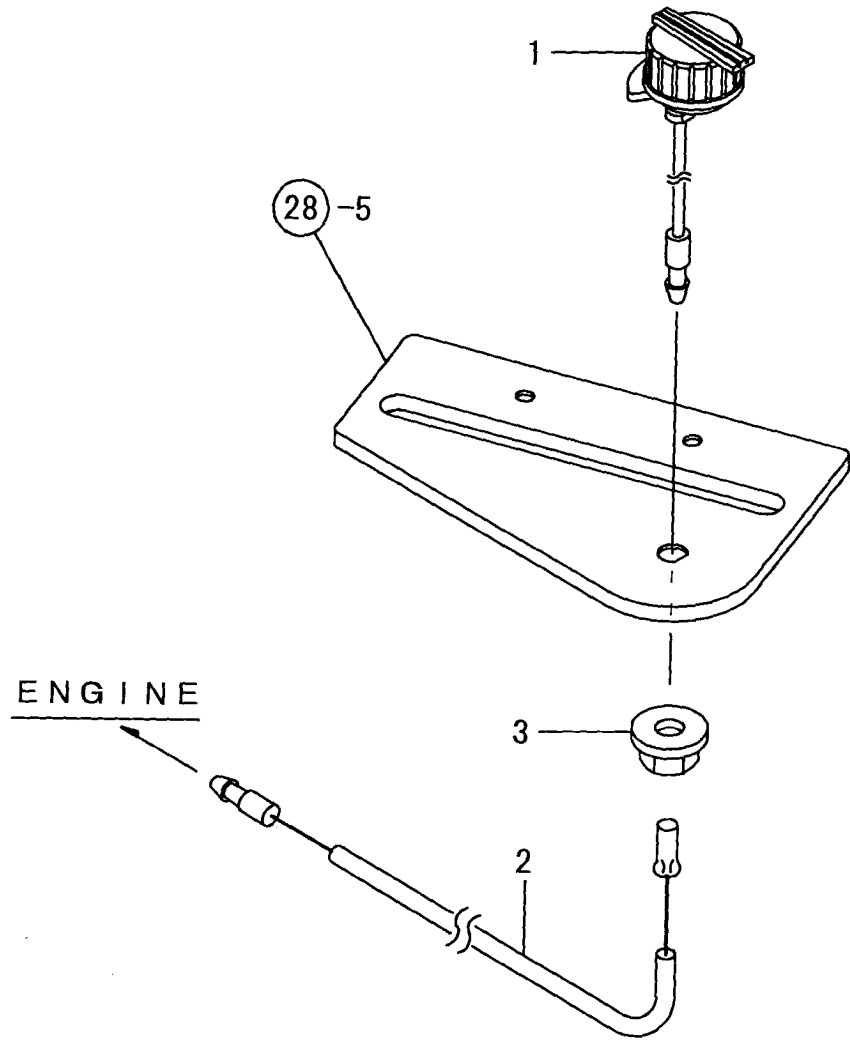
N157533

(A)=MRT40A
(B)=
(C)=

(D)=
(E)=
(F)=

No.	Lev.	Parts No.	Description	Q'ty						I	R
				(A)	(B)	(C)	(D)	(E)	(F)		
1	1	1A2420-75050	BAR,TILL DEPTH	1							
2	1	1A2170-75111	SPRING 46X60X25,TORQ	1							
3	1	1A2480-75150	KNOB, LEVER	1							
4	1	1A2170-75160	PIN 10X33,FLAT HEAD	1							
5	1	22117-100000	WASHER, 10	1							
6	1	22351-050120	PIN 5.0A* 12	1							
7	1	22360-100000	PIN, SNAP 10	1							

Fig.34. ELECTRICAL PARTS



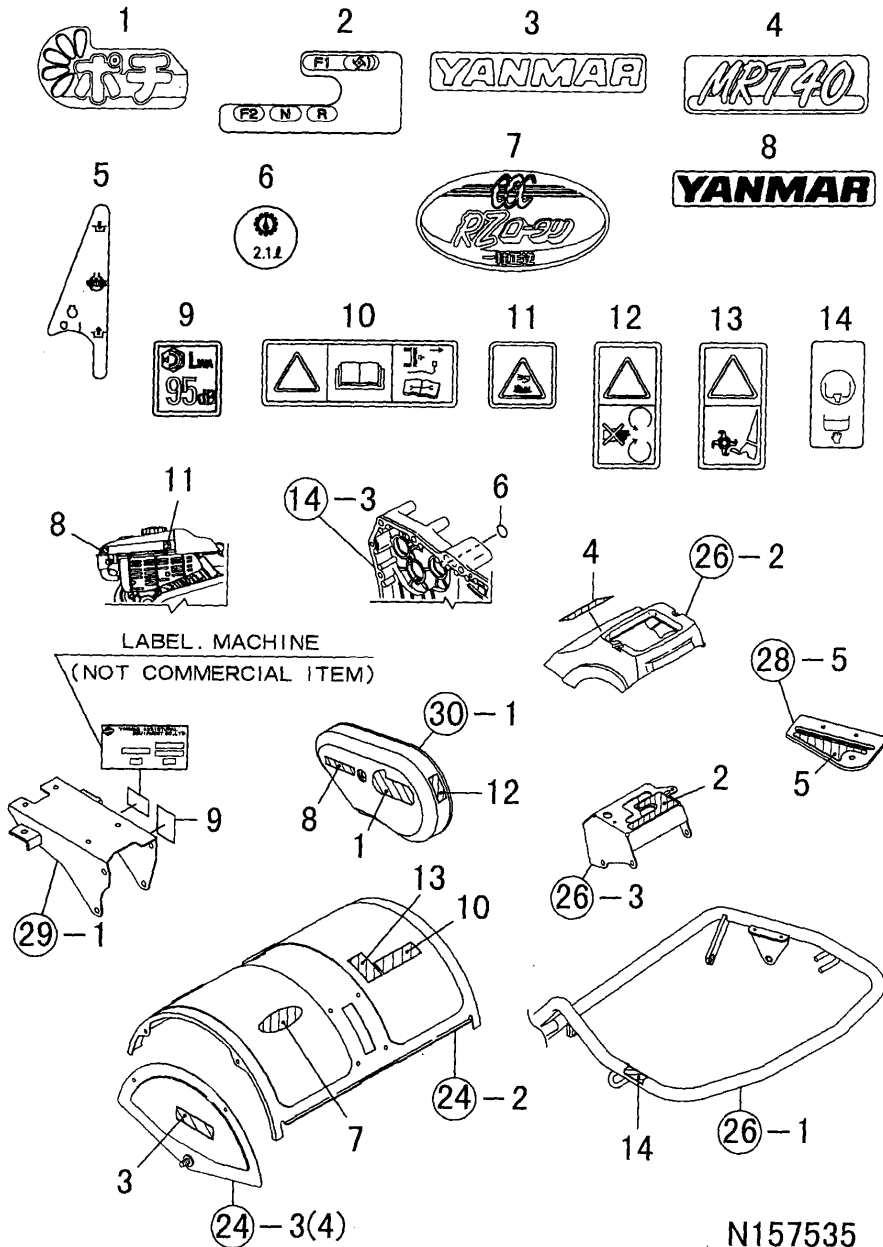
N157534

(A)=MRT40A
(B)=
(C)=

(D)=
(E)=
(F)=

No.	Lev.	Parts No.	Description	Q'ty						I	R
				(A)	(B)	(C)	(D)	(E)	(F)		
1	1	1A1750-40800	SWITCH,STOP	1							
2	1	1A2320-83100	CORD, STOP SWITCH	1							
3	1	26367-080002	NUT, M8	1							

Fig.35. LABELS



(A)=MRT40A

(B)=

(C)=

(D)=

(E)=

(F)=

No.	Lev.	Parts No.	Description	Q'ty						I	R
				(A)	(B)	(C)	(D)	(E)	(F)		
1	1	1A2420-86001	LABEL	1							
2	1	1A2429-86060	LABEL	1							
3	1	1A2150-86080	LABEL,FRONT MASK	2							
4	1	1A2420-86120	LABEL, MODEL	1							
5	1	1A2489-86120	LABEL	1							
6	1	1A2429-86150	LABEL	1							
7	1	1A2420-86161	LABEL	1							
8	1	1A2240-86180	LABEL, YANMAR	2							
9	1	1A2179-86220	LABEL	1							
10	1	1A2199-86700	MARK,HANDLING CAUTN	1							
11	1	1A2199-86720	MARK,HI-TEMP.CAUTION	1							
12	1	1A2199-86840	MARK,BELT CVR.CAUTN	1							
13	1	1A2199-86900	MARK,ROTARY CAUTION	1							
14	1	1A2170-86920	LABEL EX,MAIN CLUTCH	1							

Parts No. Index

Parts No.	Fig. No.	Ref. No.
104200-59170	1	9
		17
106990-44660	6	24
114250-45310	6	1
114252-13950	4	17
114270-01600	1	5
114299-01760	1	18
114299-01950	1	20
114770-61600	8	5
119520-03990	6	28
135210-61090	8	20
160110-01870	1	21
160110-92700	36	1
160120-76940	8	10
160310-56980	7	14
160310-56990	7	15
160393-55050	6	11
160490-14200	5	10
160493-12550	4	6
160520-55300	6	16
160520-66291	8	25
160580-59361	6	26
160590-01331	2	3
160590-07490	3	6
160590-11011	2	5
160590-11100	2	10
160590-11110	2	11
160590-14400	5	11
160590-14571	5	9
160590-21200	5	17
160590-21210	5	18
160590-22011	5	21
160590-22300	5	27
160590-56650	7	16
160590-56681	7	21
160590-56750	7	6
160590-56771	7	23
160590-56800	7	28
160590-78092	9	24
160590-78533	9	25
160590-78542	9	26
160592-13040	4	10
160592-14051	5	1
160592-45020	9	18
160592-56100	7	1
160592-56540	7	2
160593-56700	7	5
160593-66010	8	12
160598-13510	4	11
160598-56660	7	20

Parts No.	Fig. No.	Ref. No.
160610-01690	1	8
		16
160610-02220	1	6
		13
160610-04201	2	4
160610-04570	4	1
160610-04910	5	13
160610-21290	5	19
160610-55100	6	12
160610-56151	4	7
	7	32
160610-56610	7	19
160640-56850	7	24
160664-07370	3	5
160664-66220	8	28
160667-56750	7	25
160670-66350	8	29
160690-03050	2	1
160690-07260	3	4
160690-11120	2	12
160690-11180	2	13
160690-11200	2	14
160690-11222	2	15
160690-11271	2	16
160690-11280	2	17
160690-11290	2	18
160690-11300	2	20
160690-11311	2	21
160690-12510	4	3
160690-12540	4	4
160690-12610	4	2
160690-13201	4	9
160690-55140	6	15
160690-55150	6	4
160690-55462	6	14
160690-56160	7	33
160690-56570	7	4
160690-56580	7	3
160690-56630	7	12
160690-56930	7	39
160690-59400	6	27
160690-61301	8	2
160690-61311	8	3
160690-61450	8	4
160690-61600	8	6
160690-66131	8	19
160690-66143	8	21
160690-66180	8	33
160690-66200	8	36
160690-66210	8	37

Parts No.	Fig. No.	Ref. No.
160690-76561	9	9
160690-76570	9	10
160690-76600	9	4
160690-76640	9	8
160690-76650	9	7
160690-76801	9	5
160690-78230	9	27
160692-13580	4	12
160692-56500	7	30
160692-56570	7	11
160692-56640	7	13
160692-56700	7	27
160692-56710	7	7
160692-56800	7	29
160692-56900	7	37
160692-66080	8	14
160692-66130	8	13
160692-76070	9	1
160692-76270	9	2
160692-76600	9	14
160692-76640	9	3
160692-78010	9	22
160693-56910	7	38
160698-76580	9	6
160698-76670	9	13
160699-45010	9	17
160699-45200	9	23
160700-78720	9	28
160702-56720	7	26
160708-55150	6	13
160710-55360	6	19
160710-55370	6	20
160710-55382	6	21
160710-55390	6	22
160710-56732	7	35
160710-78710	6	29
160730-59371	6	25
160760-12530	4	5
160763-12600	7	36
160793-78010	9	21
160810-03180	2	2
160810-56580	7	17
160810-56590	7	18
160893-56650	7	22
160893-56660	7	31
160910-66440	8	24
160991-07260	3	3
181230-56380	7	8
1A1104-28230	20	8
1A1105-23200	22	2

Parts No.	Fig. No.	Ref. No.
1A1321-23210	22	3
1A1400-16000	27	2
1A1470-20090	14	1
1A1470-30070	21	1
1A1470-30080	21	2
1A1490-20170	18	2
1A1540-46010	23	11
1A1540-46020	21	7
	23	12
1A1735-23250	17	1
1A1735-55350	31	1
1A1750-40800	34	1
1A1750-90050	28	7
1A1750-90060	26	4
1A1750-90110	28	8
1A1750-90160	31	4
1A1750-90200	10	2
	20	10
1A1860-20280	20	1
	22	1
1A1950-23400	17	4
1A2010-31311	21	6
1A2132-55420	27	9
1A2150-13150	13	4
1A2150-44350	24	6
1A2150-44590	25	6
1A2150-55800	28	6
1A2150-86080	35	3
1A2170-24160	19	2
1A2170-24210	19	3
1A2170-24360	22	4
1A2170-27150	20	5
1A2170-27180	20	6
1A2170-31050	21	3
1A2170-31110	21	4
1A2170-31201	21	5
1A2170-44070	25	1
1A2170-44260	25	4
1A2170-62200	32	1
1A2170-75111	33	2
1A2170-75160	33	4
1A2170-86920	35	14
1A2171-42650	22	10
1A2171-42680	22	13
1A2171-42690	22	14
1A2171-43851	23	7
1A2171-43861	23	8
1A2171-43870	23	9
1A2171-43880	23	10
1A2171-44300	24	5

Parts No. Index

Parts No.	Fig. No.	Ref. No.
1A2179-86220	35	9
1A2199-86700	35	10
1A2199-86720	35	11
1A2199-86840	35	12
1A2199-86900	35	13
1A2220-55570	28	3
1A2220-55580	27	10
1A2240-86180	35	8
1A2320-12200	11	2
1A2320-13250	13	5
	27	1
1A2320-13300	12	1
1A2320-13301	12	1 -1
1A2320-23150	16	3
1A2320-27300	20	7
1A2320-43500	23	3
1A2320-43510	23	4
1A2320-43520	23	5
1A2320-43530	23	6
1A2320-55300	27	6
1A2320-55600	27	11
1A2320-55750	28	5
1A2320-55900	27	12
1A2320-62301	30	2
1A2320-83100	34	2
1A2390-44510	25	5
1A2420-11500	10	1
1A2420-12100	11	1
1A2420-13000	13	1
1A2420-13100	13	2
1A2420-13120	13	3
1A2420-21051	14	2
1A2420-21061	14	3
1A2420-21200	14	4
1A2420-21210	14	5
1A2420-21500	14	4 -1
1A2420-21510	14	5 -1
1A2420-23001	15	1
1A2420-23011	15	2
1A2420-23100	16	1
1A2420-23140	16	2
1A2420-23320	17	2
1A2420-23370	17	3
1A2420-23430	17	5
1A2420-24001	18	3
1A2420-24011	18	4
1A2420-24050	18	5
1A2420-24101	19	1
1A2420-24250	19	4
1A2420-24320	19	5

Parts No.	Fig. No.	Ref. No.
1A2420-24330	19	6
1A2420-27000	20	2
1A2420-27100	20	3
1A2420-27110	20	4
1A2420-27200	28	1
1A2420-42160	22	5
1A2420-42170	22	6
1A2420-42501	22	7
1A2420-42550	22	8
1A2420-42600	22	9
1A2420-42650	22	11
1A2420-42662	22	12
1A2420-42680	14	6
1A2420-43100	23	1
1A2420-43270	23	2
1A2420-43500	23	1 -1
1A2420-43700	23	2 -1
1A2420-44020	24	3
1A2420-44040	24	4
1A2420-44160	25	3
1A2420-44400	24	7
1A2420-44610	25	7
1A2420-53001	26	2
1A2420-55001	26	3
1A2420-55100	27	3
1A2420-55200	27	4
1A2420-55250	27	5
1A2420-55502	27	7
1A2420-55561	28	2
1A2420-55700	28	4
1A2420-61002	29	1
1A2420-62000	30	1
1A2420-75050	33	1
1A2420-86001	35	1
1A2420-86120	35	4
1A2420-86161	35	7
1A2429-44000	24	2
1A2429-44100	25	2
1A2429-55500	27	8
1A2429-86060	35	2
1A2429-86150	35	6
1A2480-51500	26	1
1A2480-64200	31	2
1A2480-64300	31	3
1A2480-75150	33	3
1A2489-86120	35	5
1A2489-88000	36	2
1A2740-13300	12	1 -2
1D2260-94020	36	3
1D2260-94100	36	4

Parts No.	Fig. No.	Ref. No.
1E6050-19180	18	1
1E6150-56040	20	9
1E6570-35150	24	1
22117-100000	33	5
22137-060000	28	9
22137-080000	10	3
	24	8
	27	13
	28	10
	30	3
22137-100000	25	8
	29	2
22157-060000	12	2
22157-080000	11	3
22217-060000	12	3
22217-080000	10	4
	11	4
	24	9
22217-100000	23	13
	29	3
	32	2
22242-000120	27	14
22242-000150	13	6
22242-000200	18	6
22242-000250	22	15
22252-000130	5	28
22287-060000	24	10
22287-080000	26	5
22351-030020	20	11
22351-040020	20	12
22351-050020	20	13
22351-050120	33	6
22360-060000	25	9
22360-100000	33	7
22372-080000	8	11
	27	15
22417-160160	28	11
22417-200250	27	16
22451-060000	8	26
22487-060260	28	12
22487-060300	25	10
22512-040120	5	12
22512-040160	5	20
22512-050300	11	5
22550-050250	12	4
23061-030180	7	34
23080-013000	31	5
23414-080000	14	7
24101-060034	15	3
24101-060044	18	7

Parts No.	Fig. No.	Ref. No.
24101-062014	16	4
	17	6
24101-062024	15	4
	17	7
24101-062040	1	7
		14
24101-062044	18	8
24101-063014	16	5
24161-182217	17	8
24161-202413	22	16
24190-100001	20	14
24421-173007	15	5
	20	15
26076-080322	24	11
26106-060082	9	16
26106-060102	6	23
26106-060202	2	22
	14	8
26106-060282	14	9
26106-060302	5	31
26106-060352	2	23
26106-060902	14	10
26106-080122	4	18
	30	4
26107-060122	10	5
	24	12
	30	5
26107-080122	27	17
26107-080182	21	8
26107-080252	14	11
26116-081402	26	6
26117-040088	8	18
26117-040257	8	27
26117-060162	12	5
26117-080122	14	12
26117-080162	11	6
26117-080402	10	6
26117-081602	26	7
26117-100202	32	3
26117-100222	23	14 -1
26157-101402	29	4
26167-060122	24	13
	25	11
26167-060162	25	12
26167-080252	24	14
26207-100222	23	14
26216-080182	2	19
26347-060002	8	30
26347-100002	25	13
26366-060002	4	8

Parts No. Index

Parts No.	Fig. No.	Ref. No.
26366-060002	8	35
26366-080002	4	19
26367-060002	14	13
	24	15
	25	14
26367-080002	14	14
	21	9
	26	8
	34	3
26476-060102	14	15
26476-060122	28	13
26476-060142	8	32
	9	19
		20
26476-060252	1	22
26476-060302	9	29
26647-060152	24	16
26657-080002	30	6
26707-100002	23	15
26716-080002	24	17
26717-080002	10	7
	24	18
26737-100002	29	5
26757-060002	8	31
26892-000800	27	18
	28	14
29610-000650	9	30
29610-000950	9	15
760590-01500	1	10
760590-01562	1	1
760590-21700	5	14
760590-22501	5	23
760590-23700	5	29
760592-55720	6	2

Parts No.	Fig. No.	Ref. No.
-----------	----------	----------

Parts No.	Fig. No.	Ref. No.
-----------	----------	----------

Parts No.	Fig. No.	Ref. No.
-----------	----------	----------